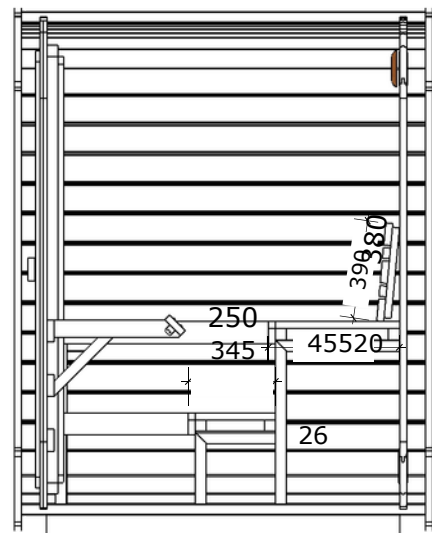
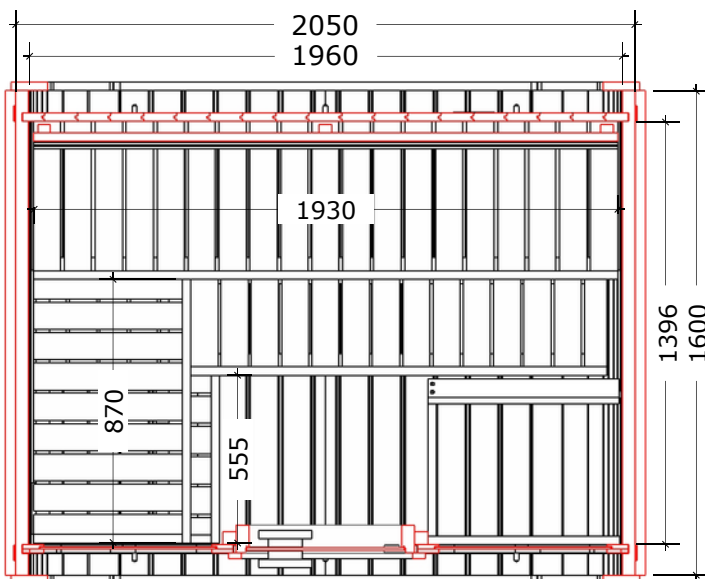
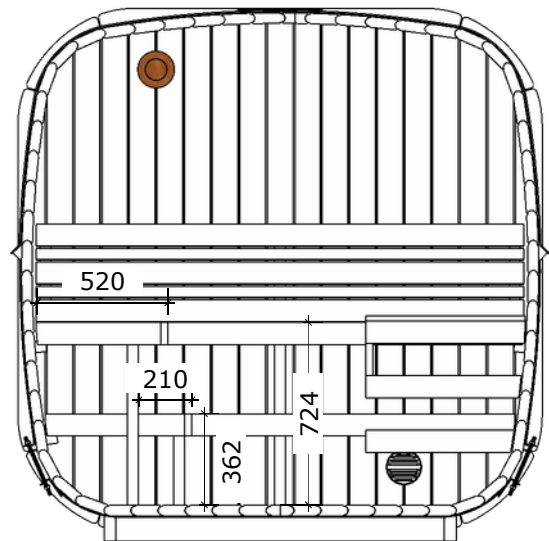
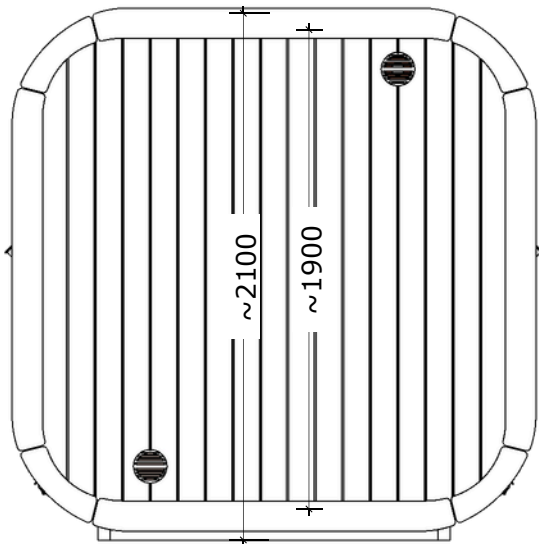
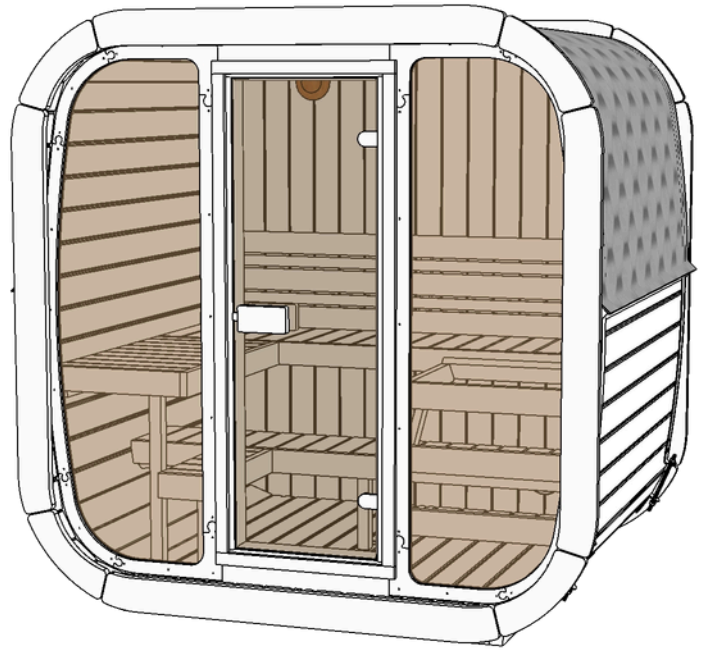
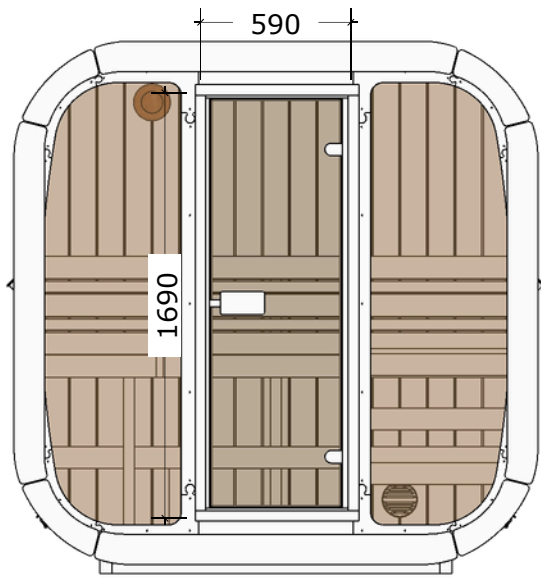


Sauna CUBE 160,Ø200

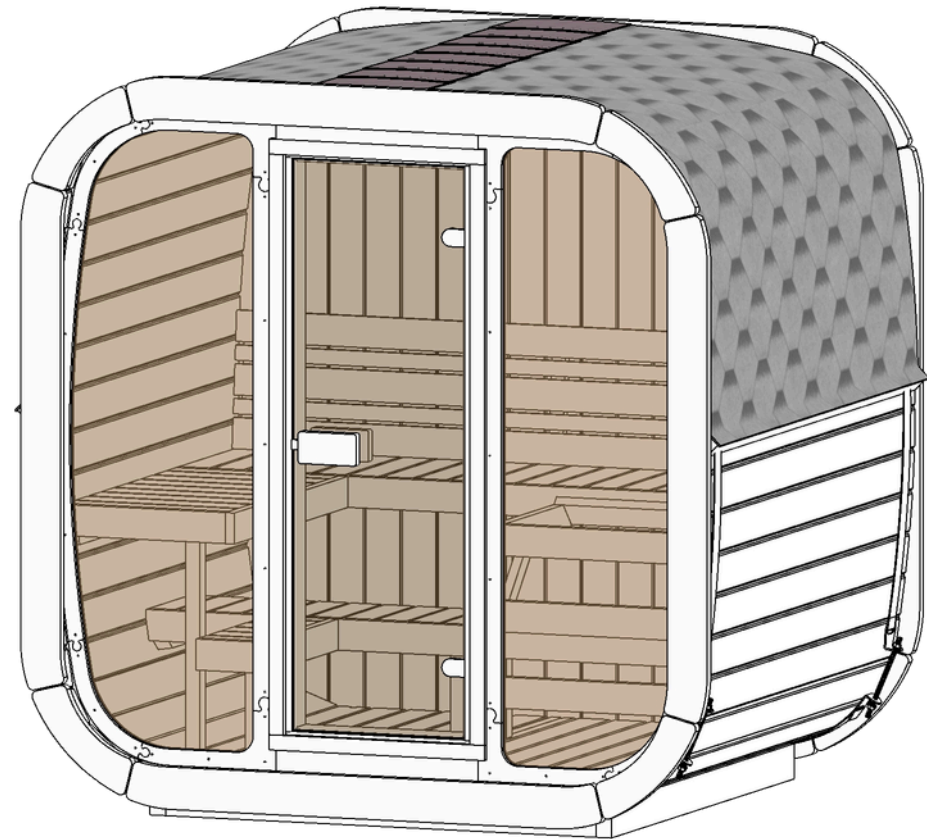
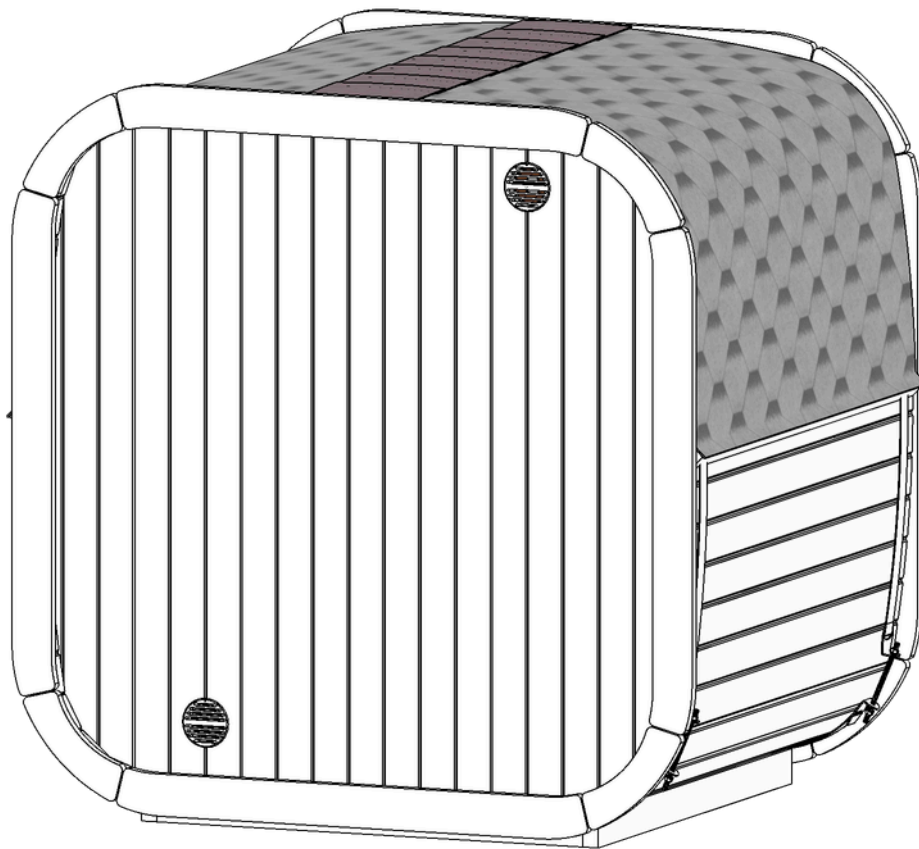
(Front: glass wall)



Sauna CUBE 160,Ø200

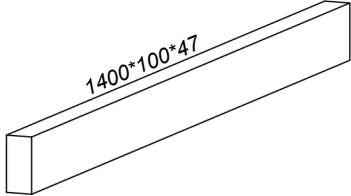
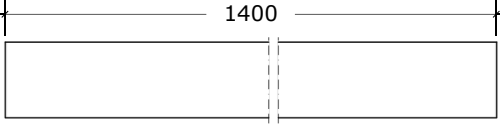
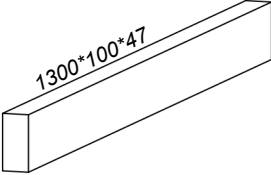
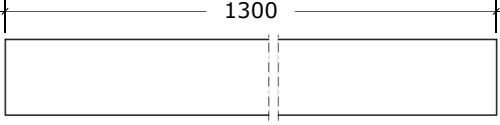
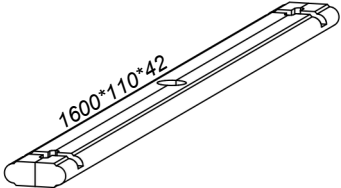
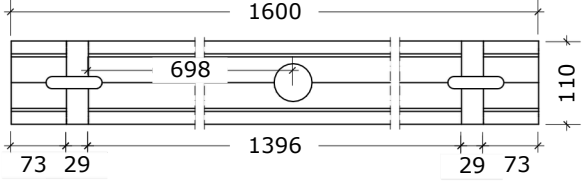
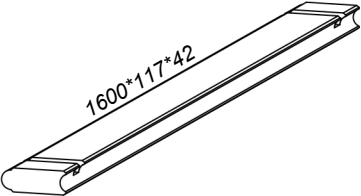
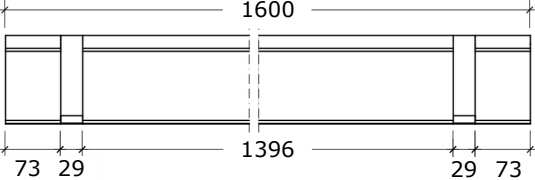
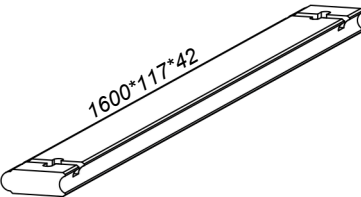
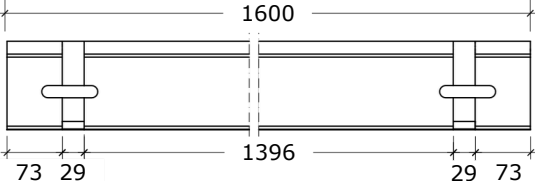
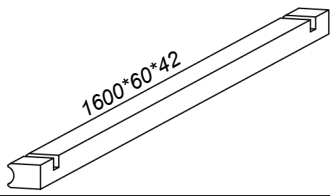
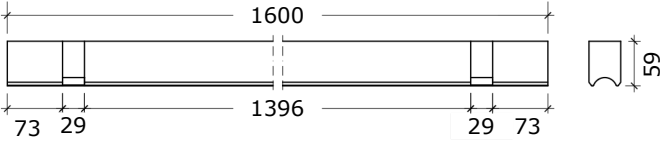
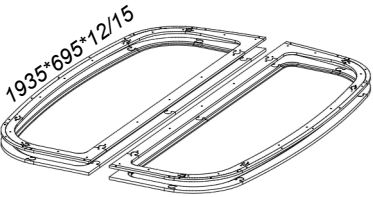
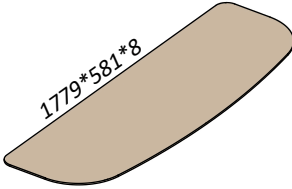
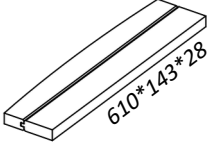
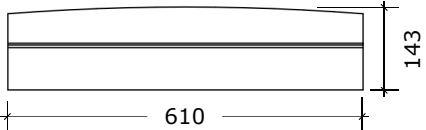
Note: Please read manual before construction.

All dimensions given are in millimeters.



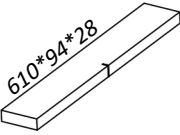
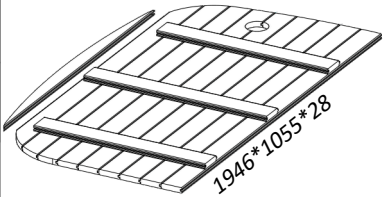
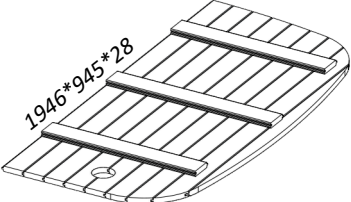
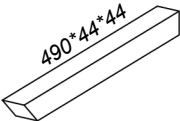
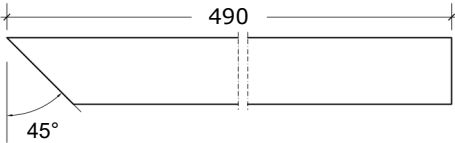
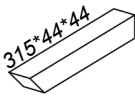
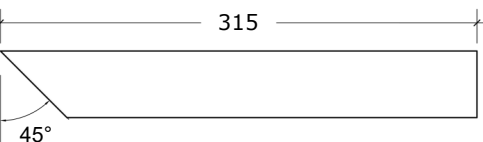
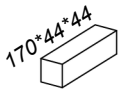
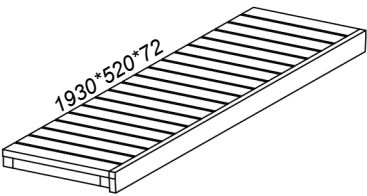
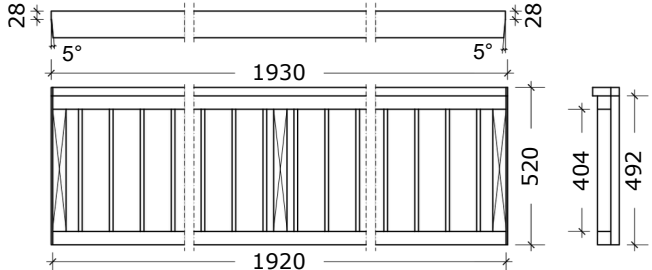
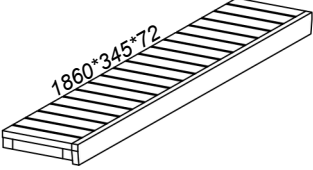
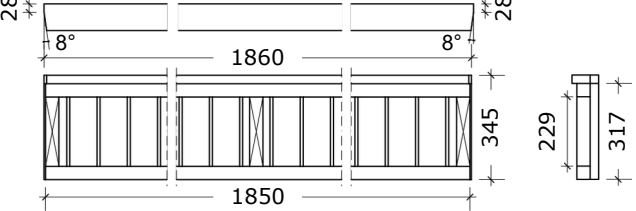
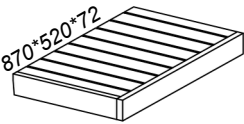
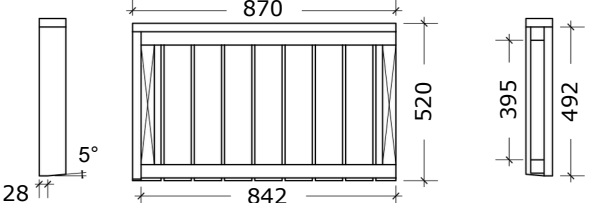

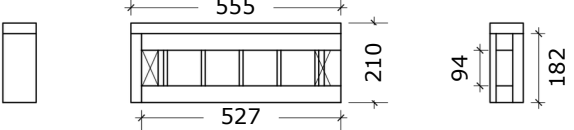
Sauna CUBE 160,Ø200

Details list 1/5

<p>DET 1</p> <p>Article. K-SM100/1400</p>	<p>x2</p>	 <p>1400*100*47</p>	 <p>1400</p>
<p>DET 2</p> <p>Article. K-SM100/1300</p>	<p>x4</p>	 <p>1300*100*47</p>	 <p>1300</p>
<p>DET 3</p> <p>Article. T-STL117/1600XLM03</p>	<p>x1</p>	 <p>1600*110*42</p>	 <p>1600 698 1396 73 29 29 73 110</p>
<p>DET 3a</p> <p>Article. T-STL117/1600-01</p>	<p>x64</p>	 <p>1600*117*42</p>	 <p>1600 1396 73 29 29 73</p>
<p>DET 3a/H</p> <p>Article. T-STL117/1600-01X</p>	<p>x2</p>	 <p>1600*117*42</p>	 <p>1600 1396 73 29 29 73</p>
<p>DET 6 DET 3vastaspool</p> <p>Article. T-STL117/1600XL-01</p>	<p>x2</p>	 <p>1600*60*42</p>	 <p>1600 1396 73 29 29 73 59</p>
<p>DET Frame (Front glass-wall)</p> <p>Article. IC-20-TKE12/15-USA</p>	<p>x1</p>	 <p>1935*695*12/15</p>	
<p>DET Glass (Front glass-wall)</p> <p>Article. IC-20-ES</p>	<p>x2</p>	 <p>1779*581*8</p>	
<p>DET Ta</p> <p>Article. K-SL117/610UK1</p>	<p>x1</p>	 <p>610*143*28</p>	 <p>143 610</p>

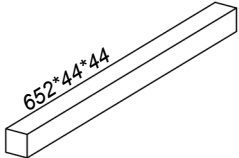
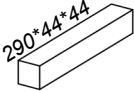
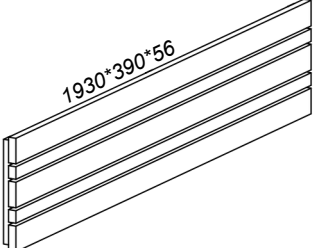
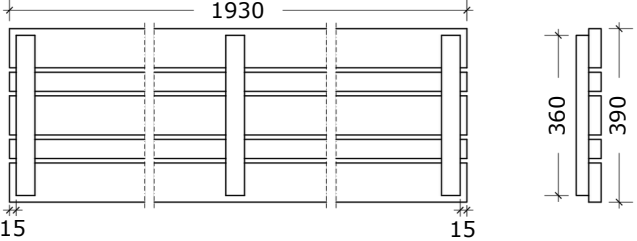
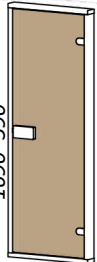
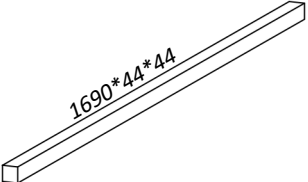
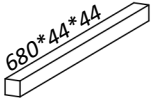
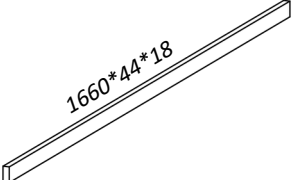

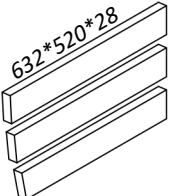
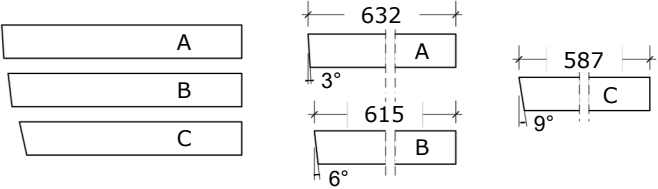
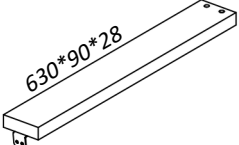
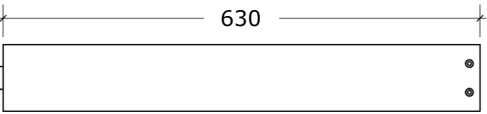
Sauna CUBE 160,Ø200

Details list 2/5

DET Tb Article. K-TL94/610J	x1		
DET Y1 Article. T-IC20-PTS/28-V	x1		
DET Y2 Article. T-IC20-PTS/28-P	x1		
DET 10a Article. K-HP44/490XP	x2		
DET 11a Article. K-HP44/315XP	x2		
DET 10c Article. K-HP44/170	x1		
DET 10 Article. TL-LAMOD-1930-01	x1		
DET 11 Article. TL-LAMOD-1860-02	x1		
DET 12 Article. TL-LAMOD-870-01	x1		
DET 13 Article. TL-LAMOD-555-01	x1		

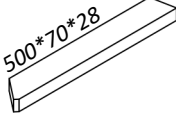
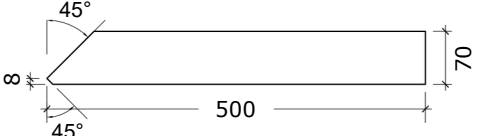
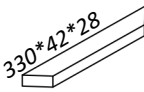
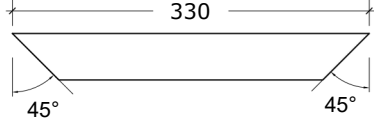

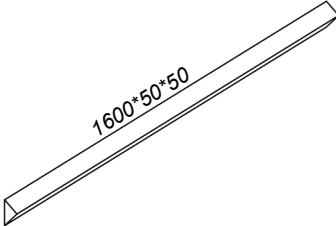

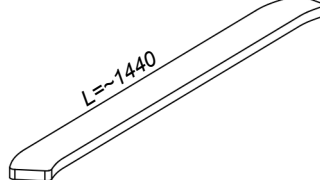
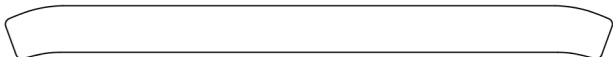
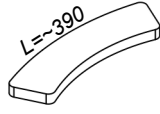


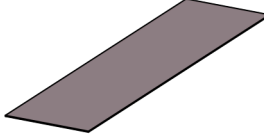



Sauna CUBE 160,Ø200

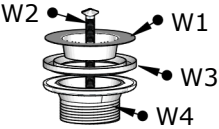
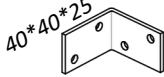
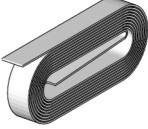
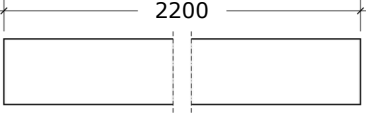
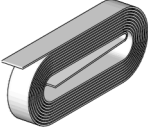
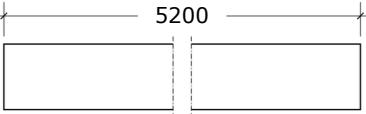
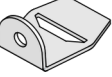
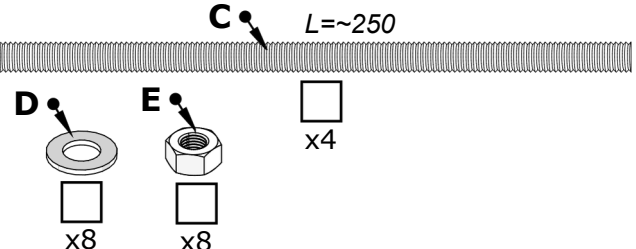
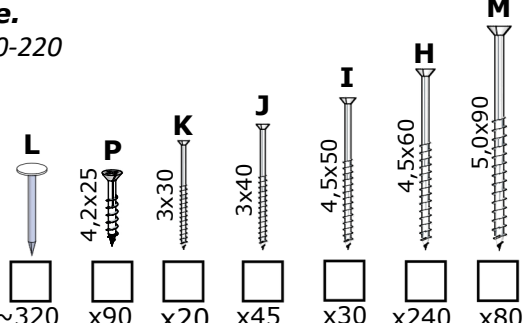
Details list 3/5

DET 10b Article. K-HP44/652	x2		
DET 11b Article. K-HP44/290	x2		
DET 14 Article. TL-STMOD-1930-01	x1		
DET 21 Article. U-KL-6/17-PR	x1		
DET 21c Article. K-HP44/1690	x2		
DET 21d Article. K-HP44/680	x2		
DET 21a Article. K-HL44/1660	x2		
DET 21b Article. K-HL44/650	x2		
DET 16 Article. TL-PIMOD-632-02	x1		
DET 15a Article. TL-LAV90/630X	x1		

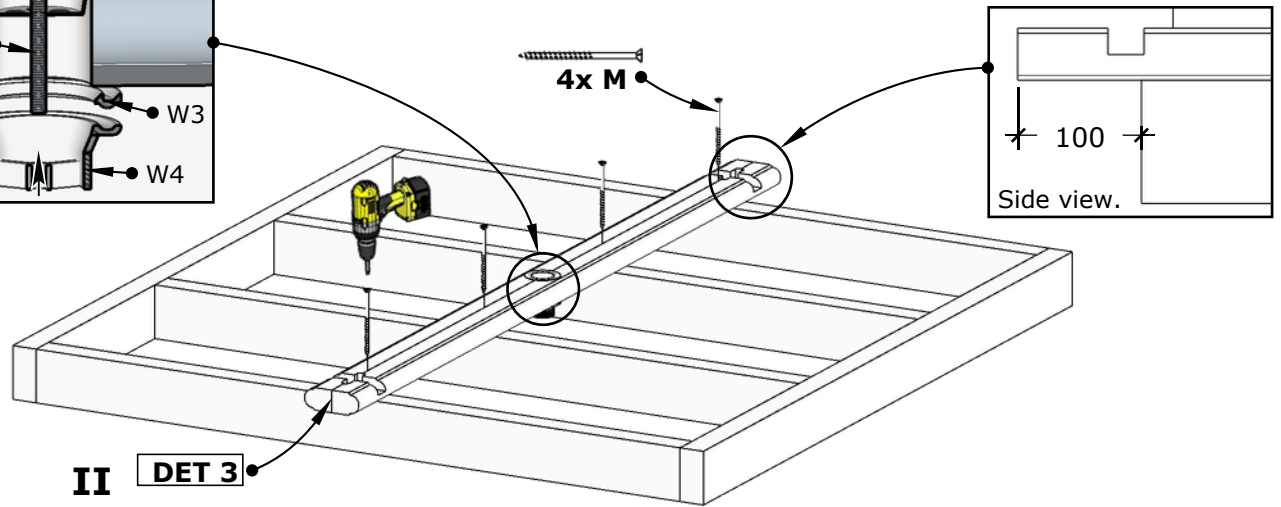
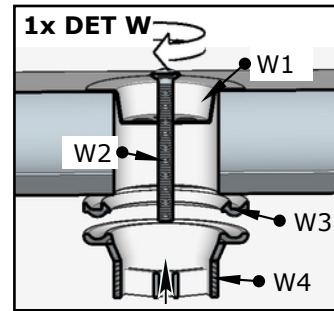
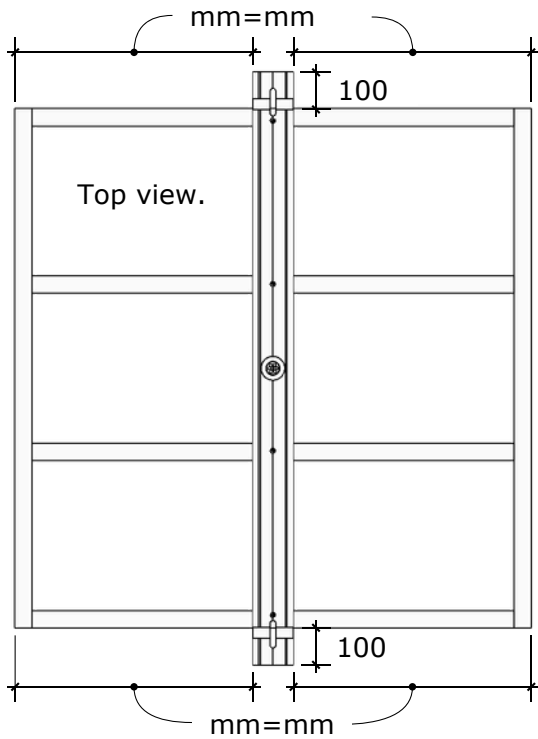
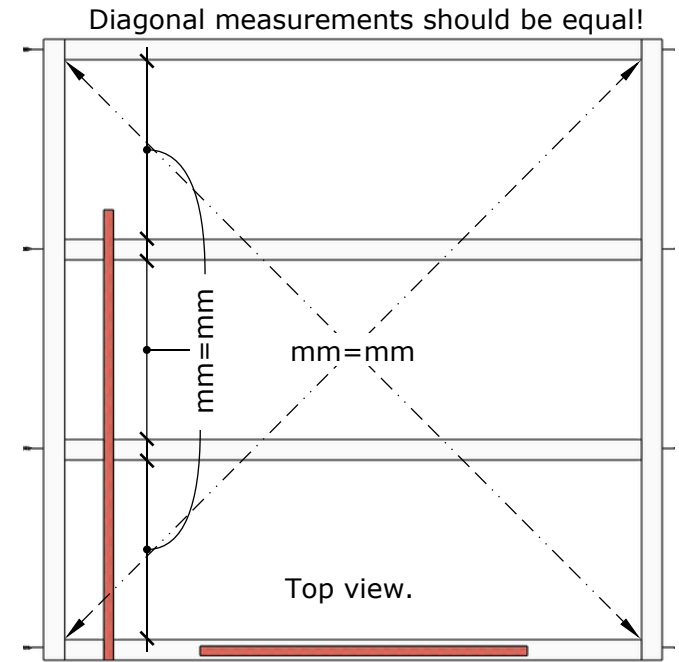
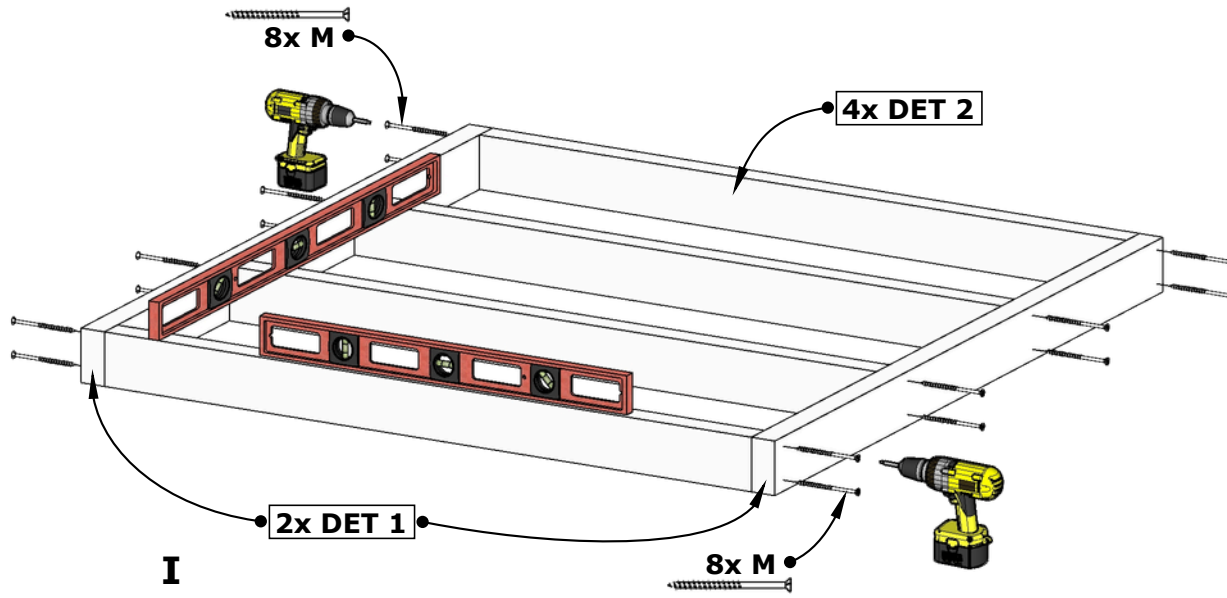
Sauna CUBE 160,Ø200

Details list 4/5

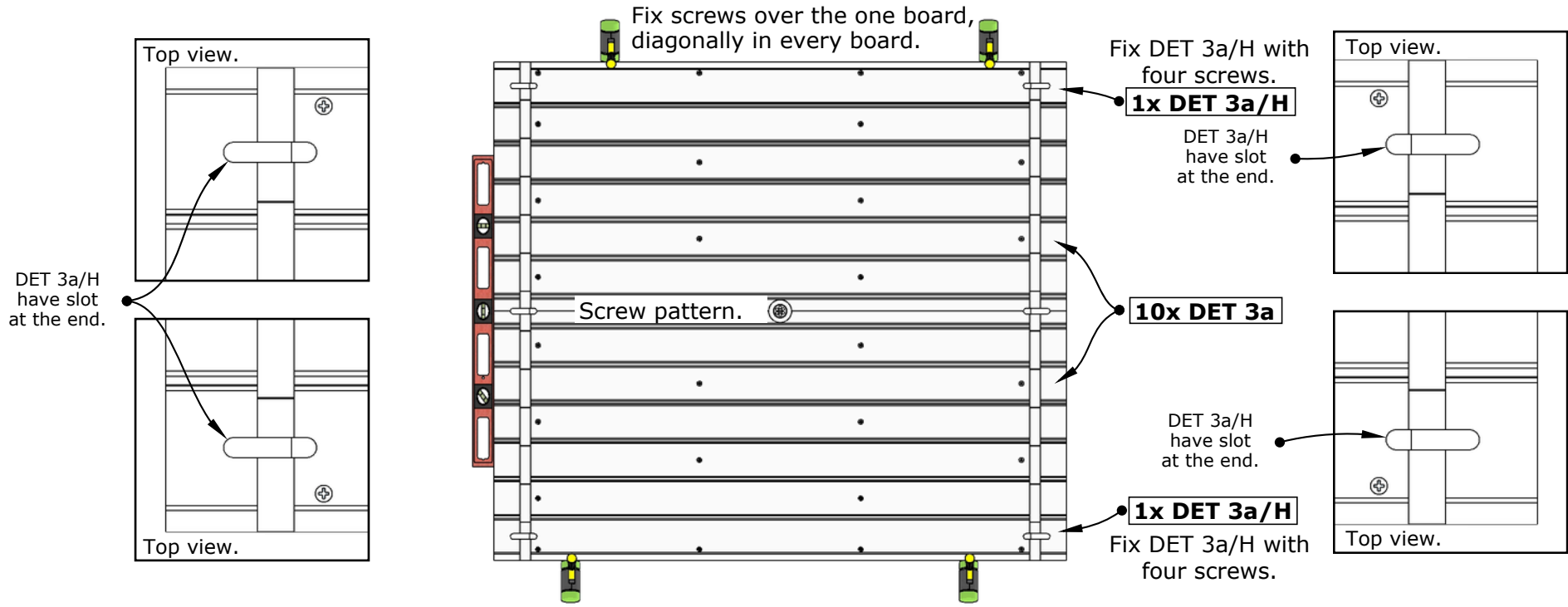
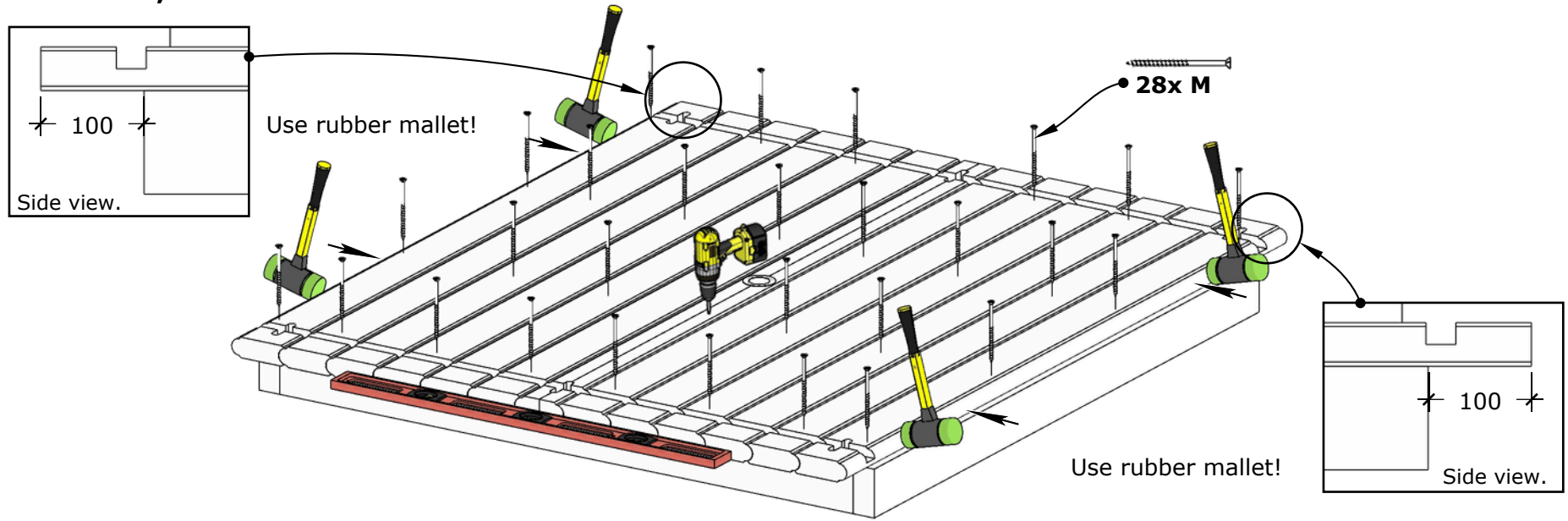
DET 15b Article. TL-LAV90/500XP-XL	x1		
DET 15d Article. TL-LAV42/330XP-XP	x1		
DET 15c Article. KI-LEK15	x2		
DET 22 Article. T-STL-1600-XX	x2		
DET 25a Article. MU-OL-IC-20-1	x8		
DET 25b Article. MU-OL-IC-20-2	x8		
Underlay felt Article. KAT-AL	8 m.		
DET N Article. KAT-HAR-MUST	x7		
DET O Article. KAT-SIN-MUST	x52		
DET F Article. MU-VENT-100-ZN	x3		
DET G Article. MU-VENT-100-PU	x1		

<p>DET W</p> <p>Article. MU-TRAPP</p>	<p>x1 kmpł</p>		
<p>DET V</p> <p>Article. KI-VIN-25/40/40-ZN</p>	<p>x4</p>		
<p>DET A1</p> <p>Article. MU-VIT10/2200</p>	<p>x2</p>		
<p>DET A2</p> <p>Article. MU-VIT10/5200</p>	<p>x2</p>		
<p>DET B</p> <p>Article.</p>	<p>x8</p>		
<p>Article. KI-KERL-12-RV4</p>  <p> D x8 E x8 C x4 </p>		<p>Article. KI-ICO-160-220</p>  <p> L ~320 P 4,2x25 K 3x30 J 3x40 I 4,5x50 H 4,5x60 M 5,0x90 </p>	

Sauna CUBE 160,Ø200

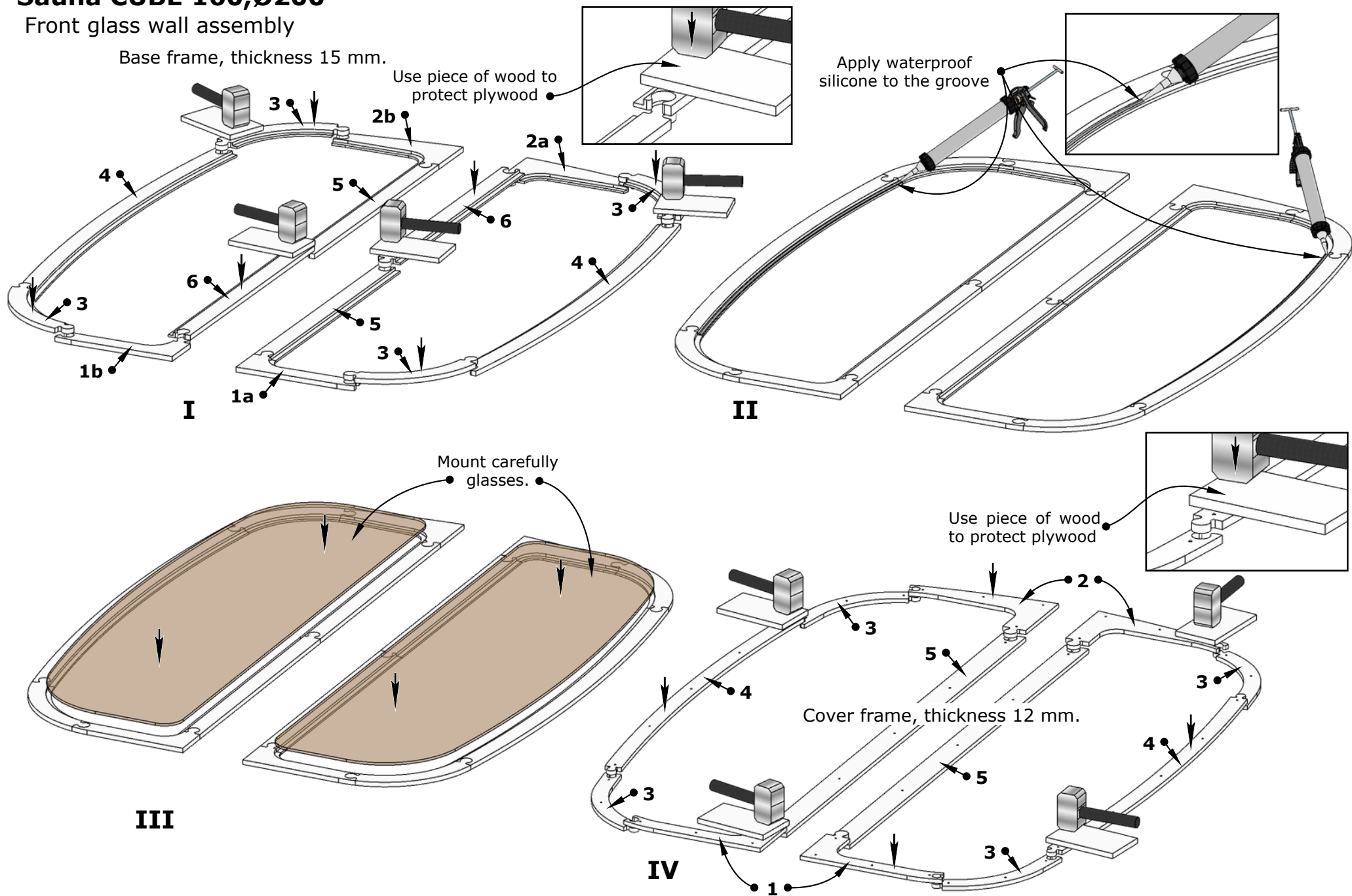


Sauna CUBE 160,Ø200



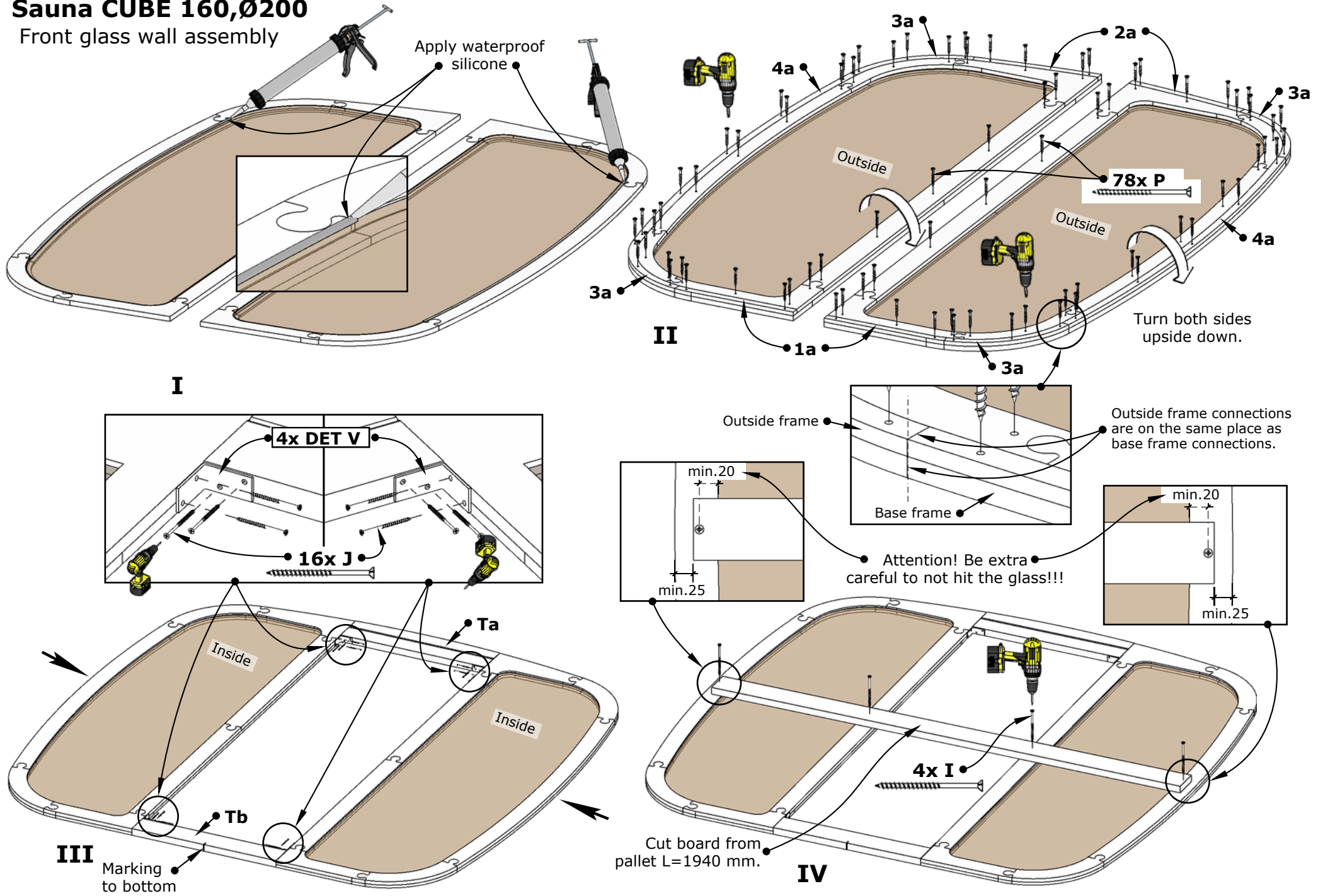
Sauna CUBE 160,Ø200

Front glass wall assembly



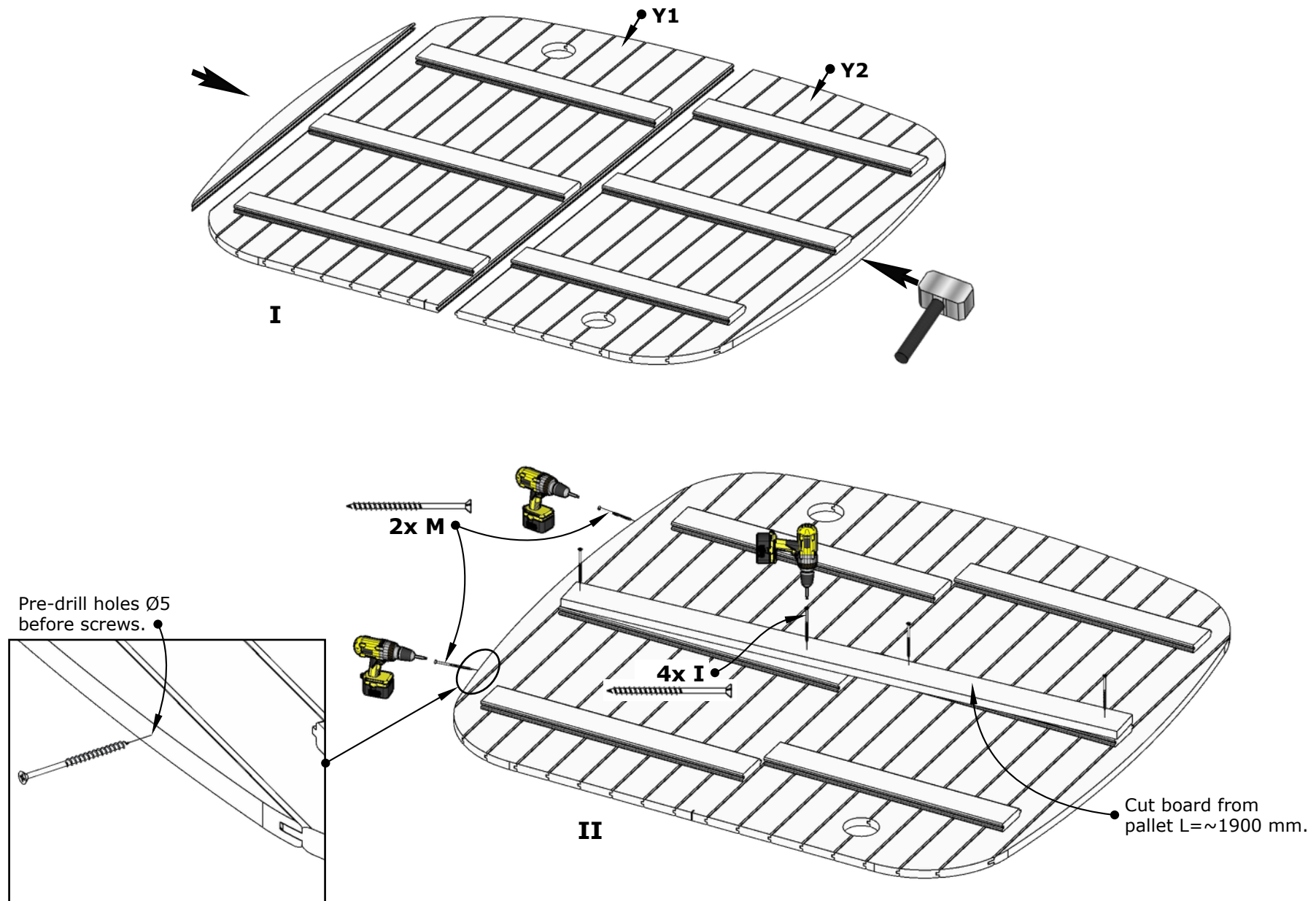
Sauna CUBE 160,Ø200

Front glass wall assembly

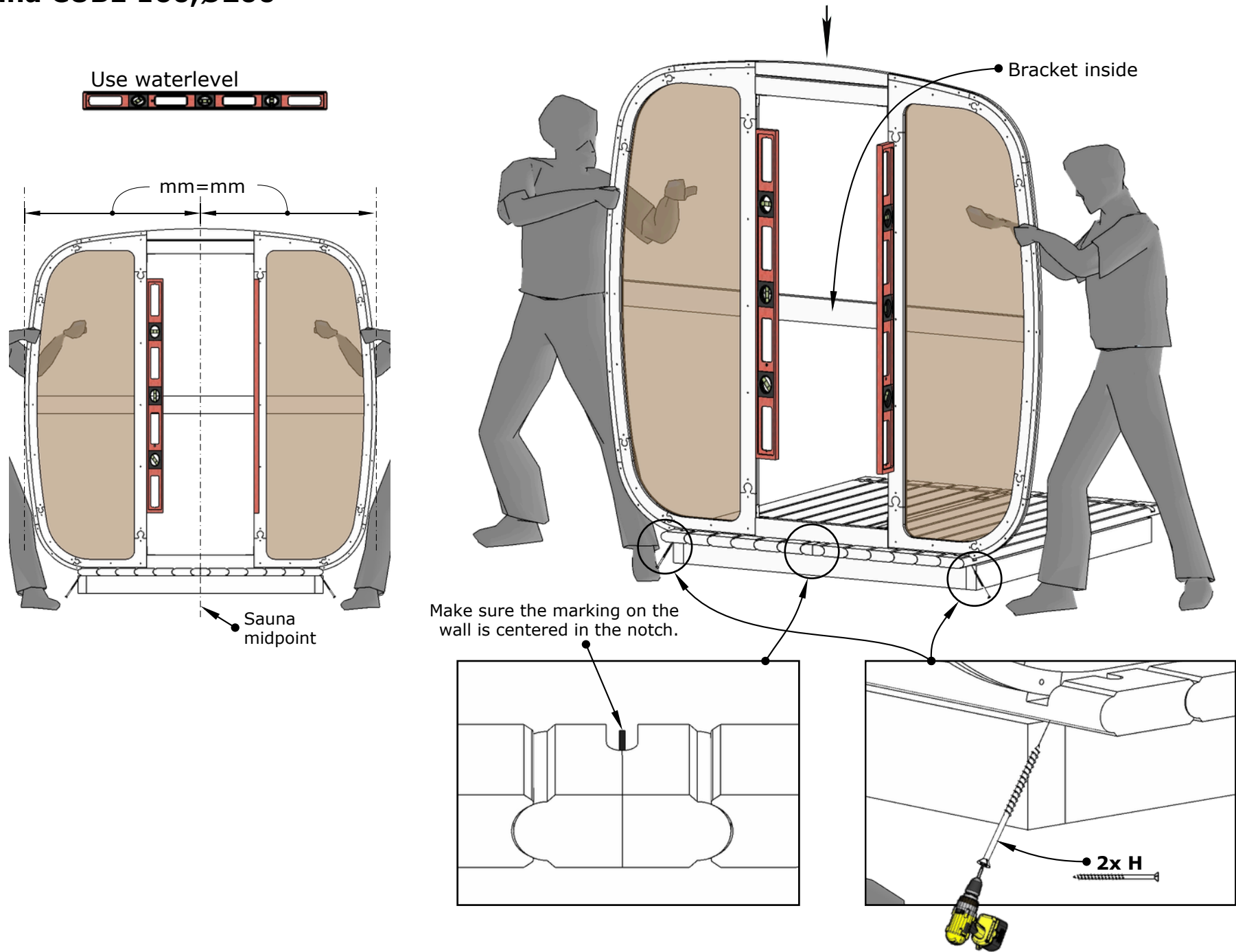


Sauna CUBE 160,Ø200

Wooden back wall assembly

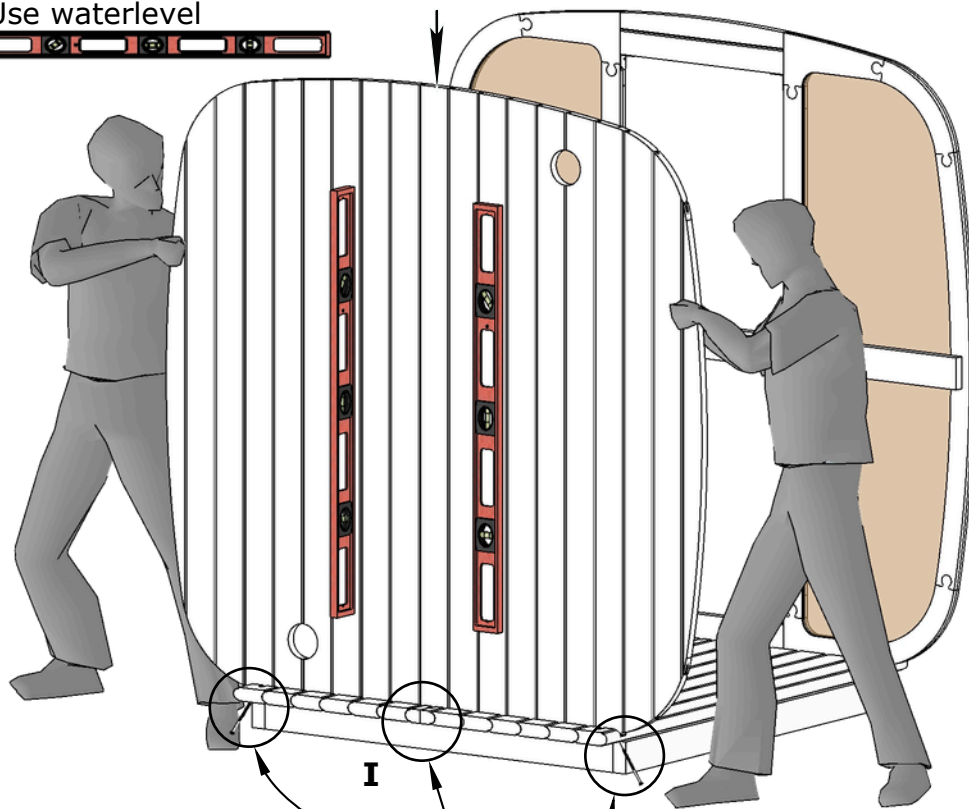


Sauna CUBE 160,Ø200

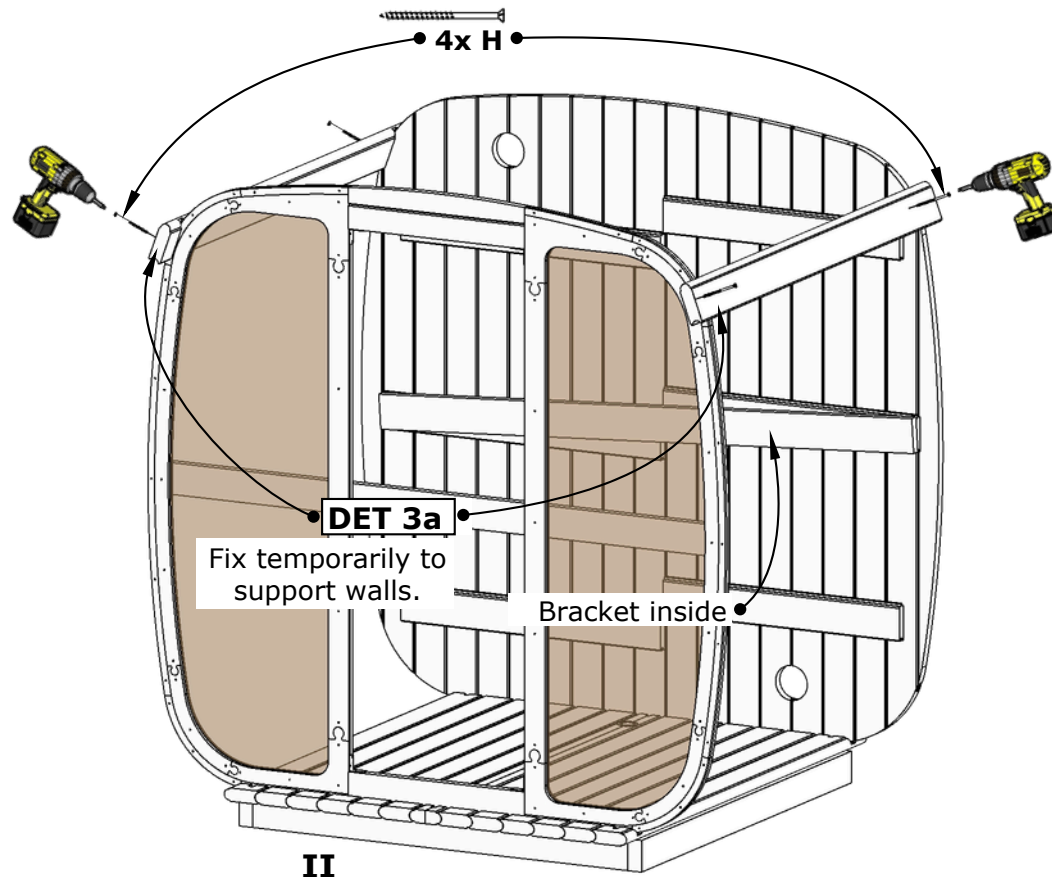
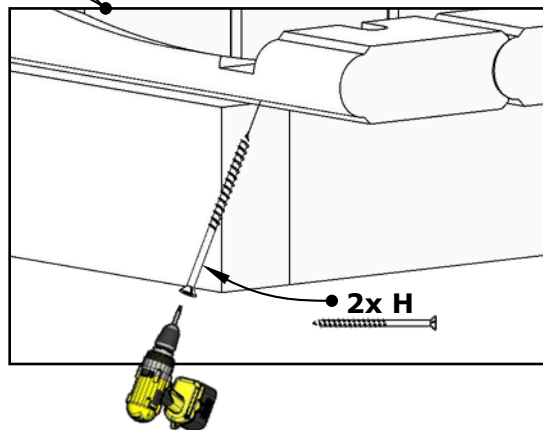
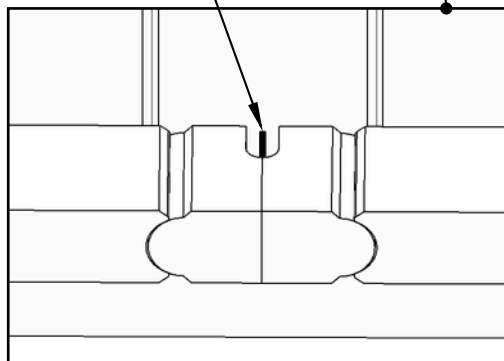


Sauna CUBE 160,Ø200

Use waterlevel



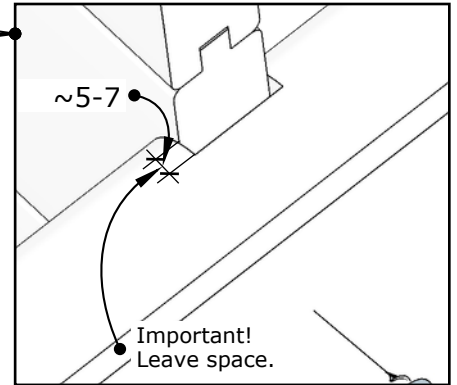
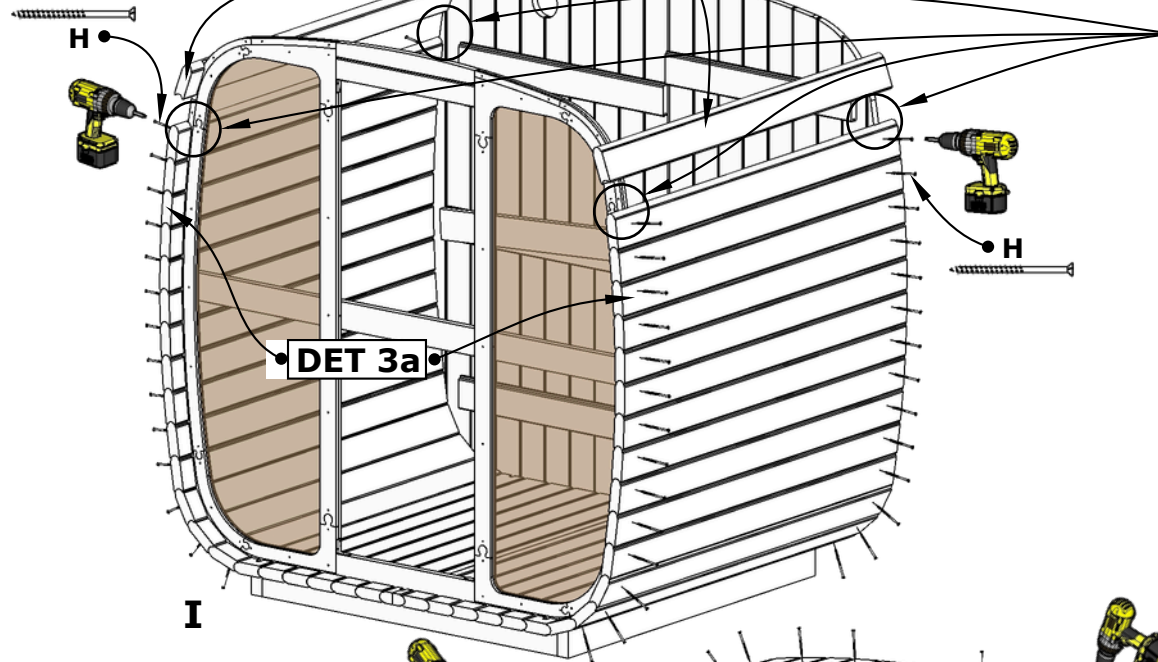
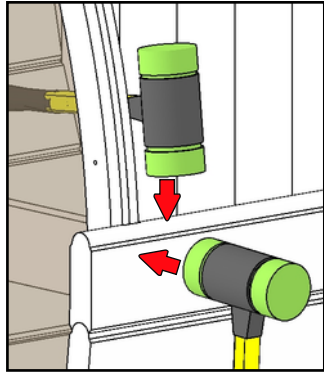
Make sure the marking on the wall is centered in the notch.



Sauna CUBE 160,Ø200

Remove DET 3a from their temporary positions and use during the next step.

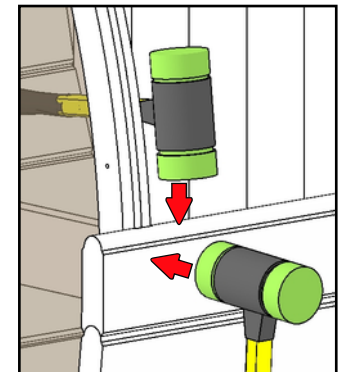
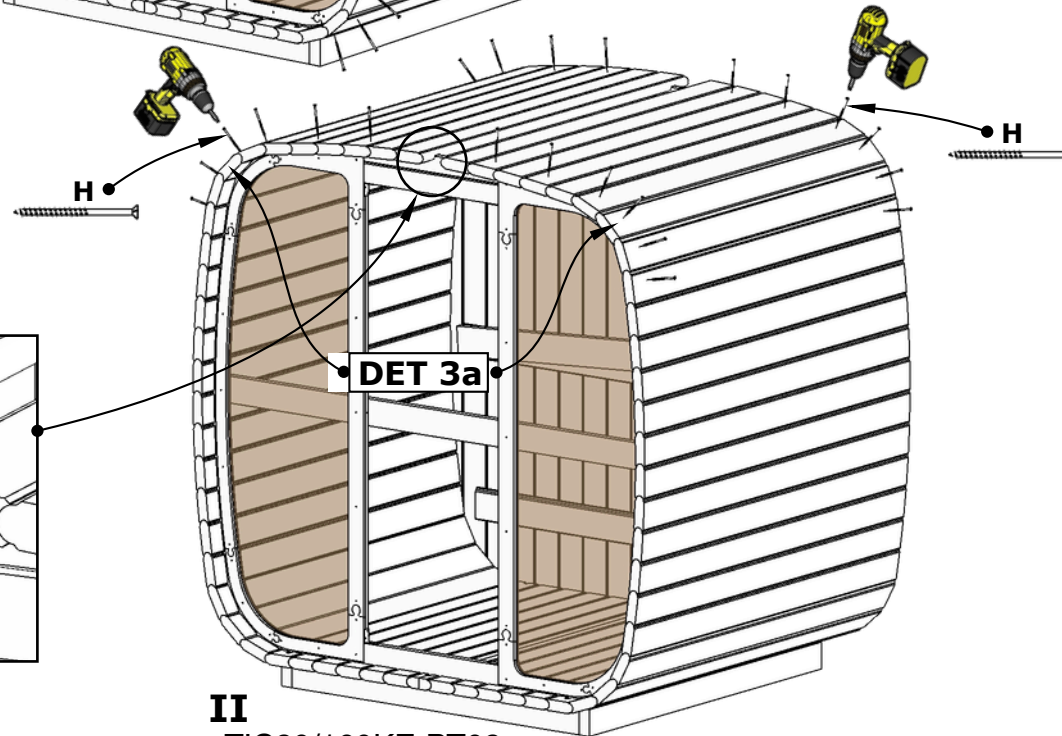
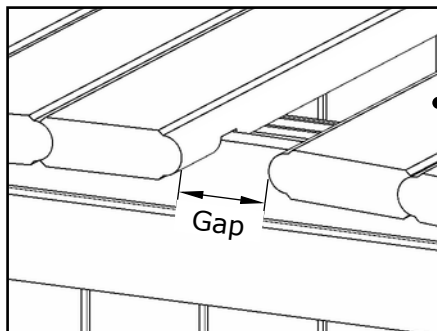
Use rubber mallet!



IMPORTANT! Be sure to leave a 5-7 mm. gap when tightening screws to leave room for adjustment when the outer bands (A2) are installed.

I

See the next page.

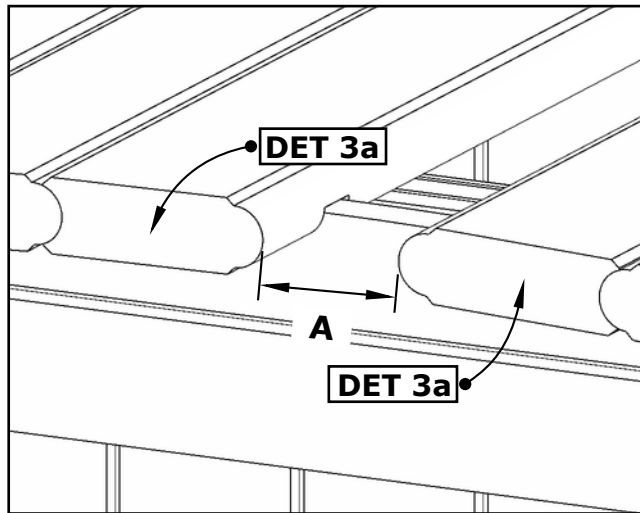


Use rubber mallet!

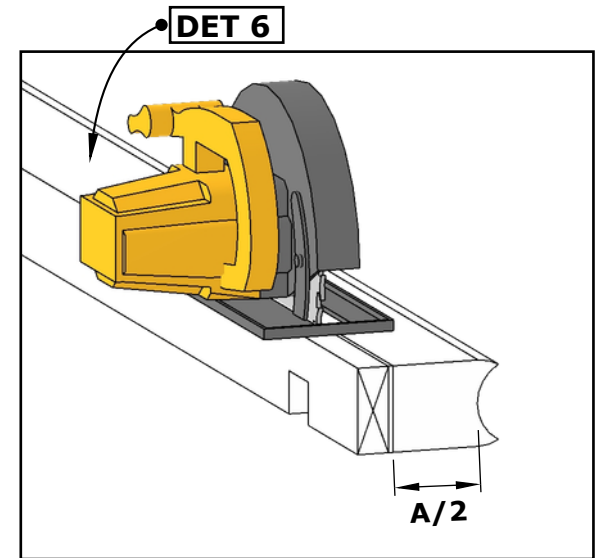
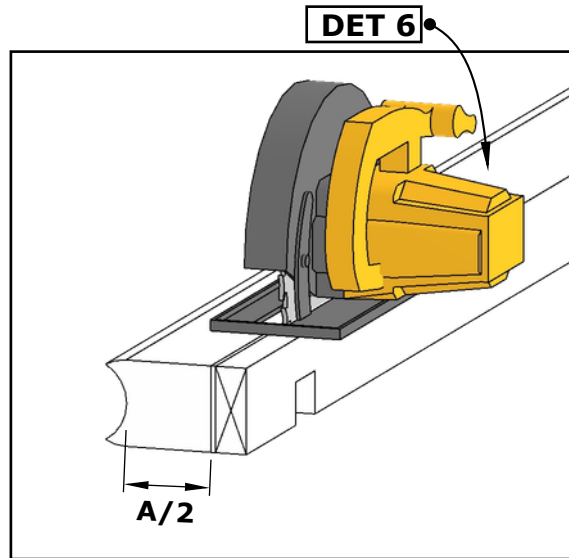
II

TIC20/160KE-PT02

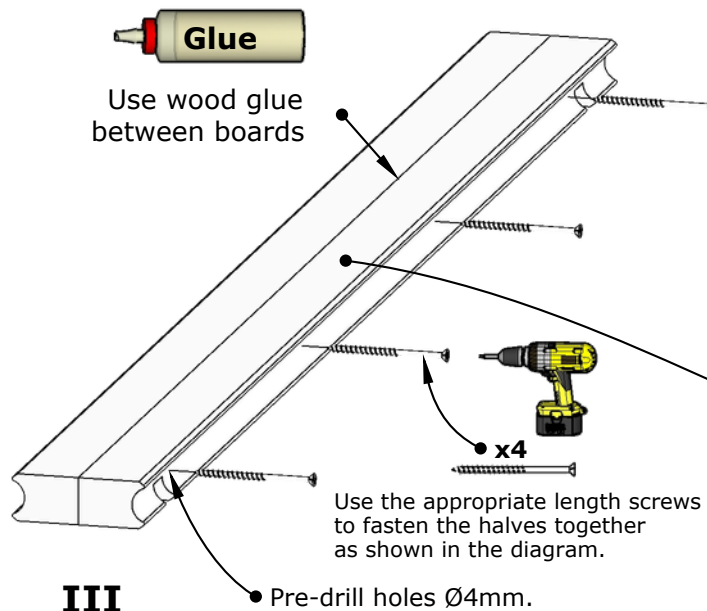
Sauna CUBE 160,Ø200



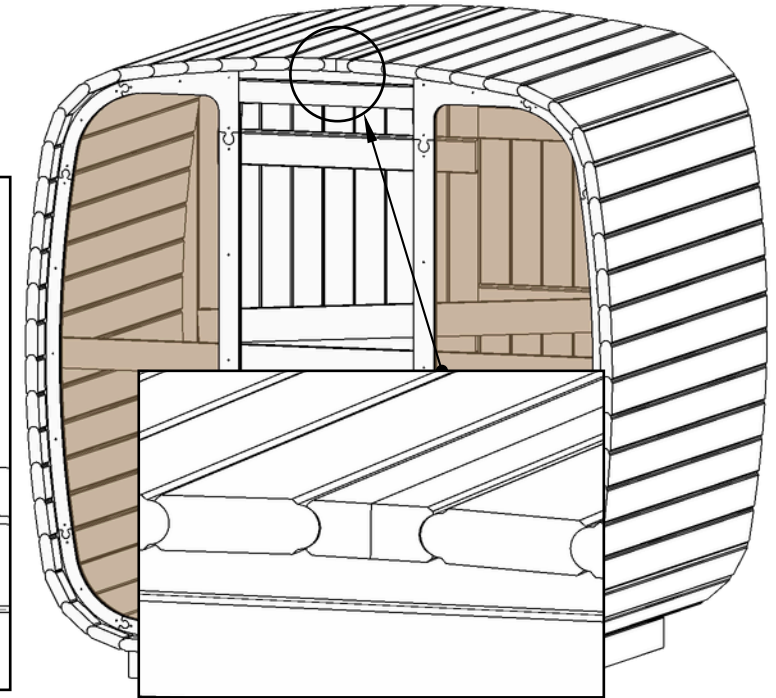
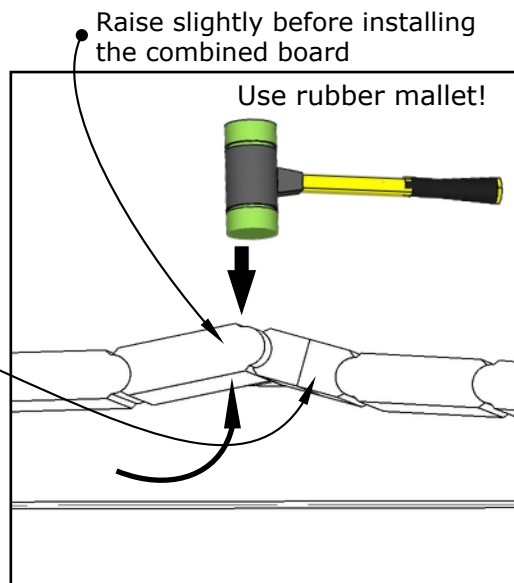
I



II

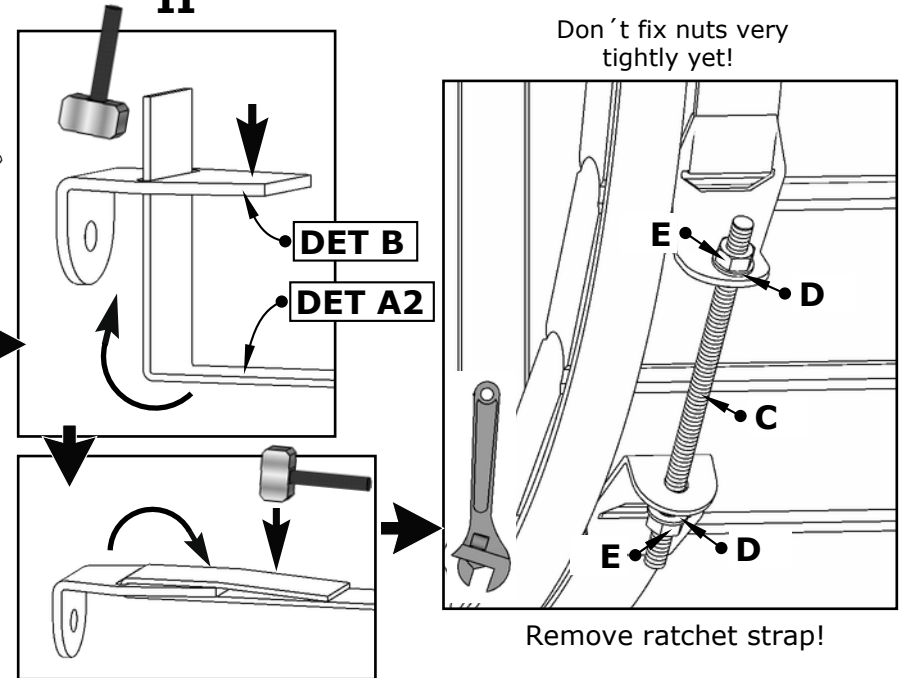
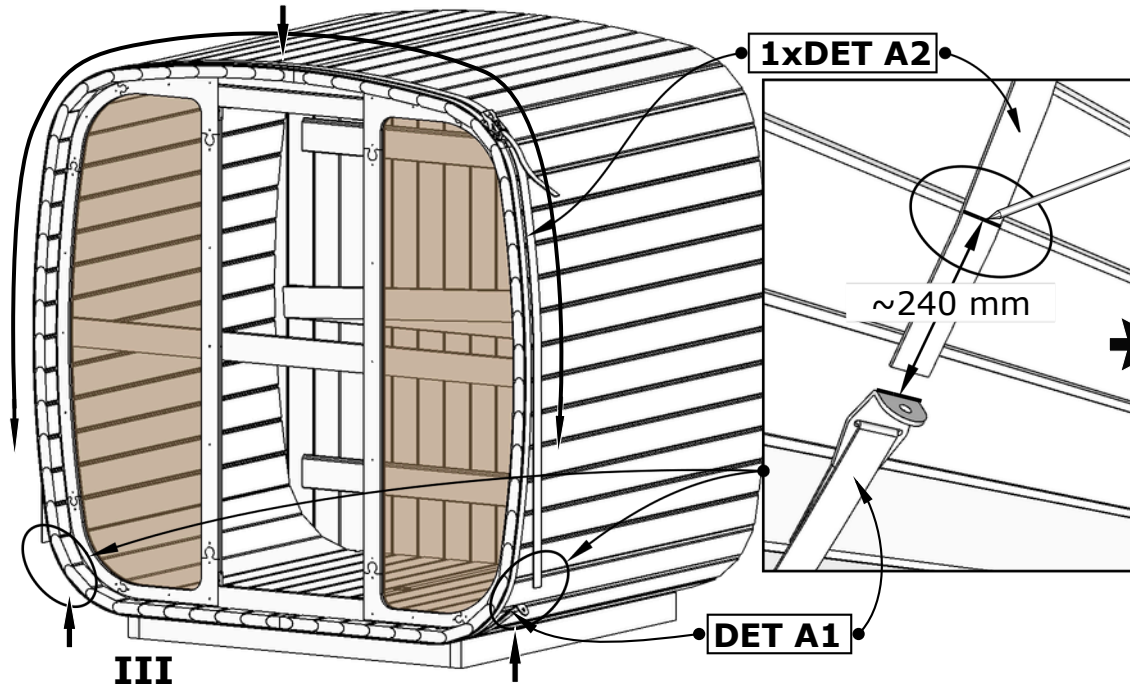
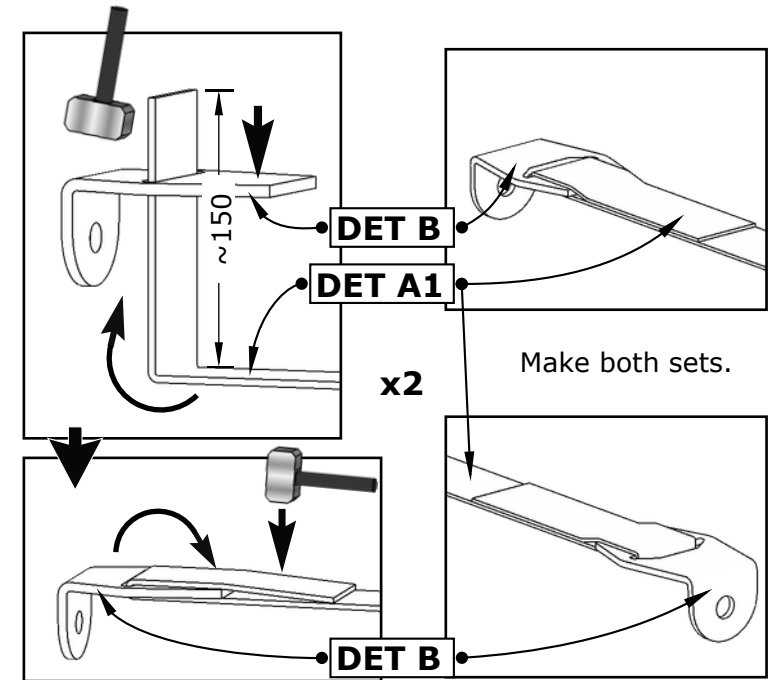
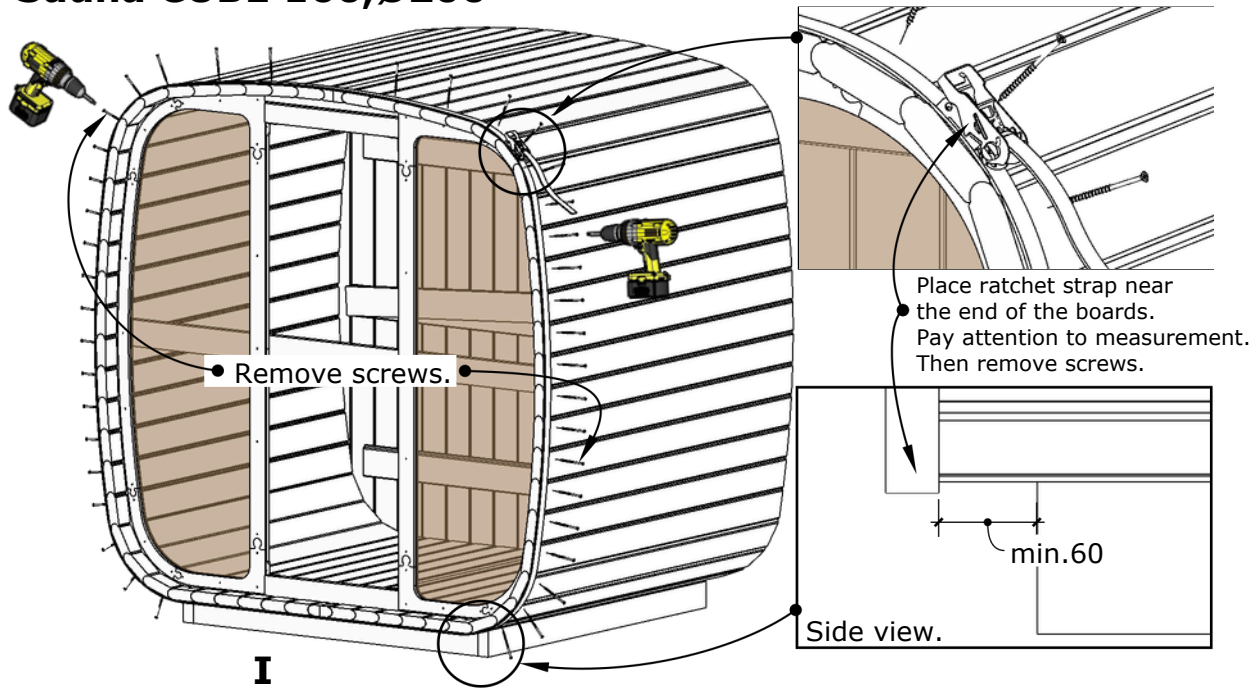


III

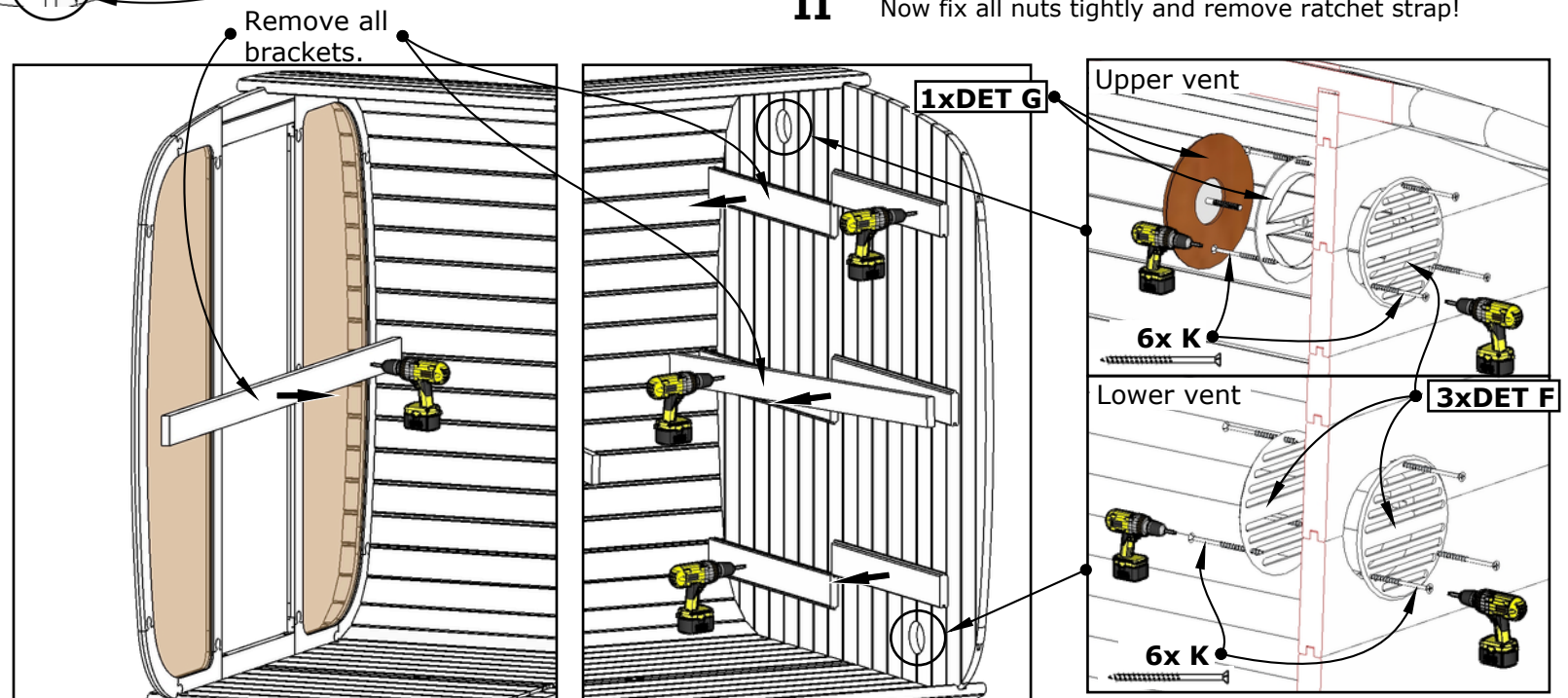
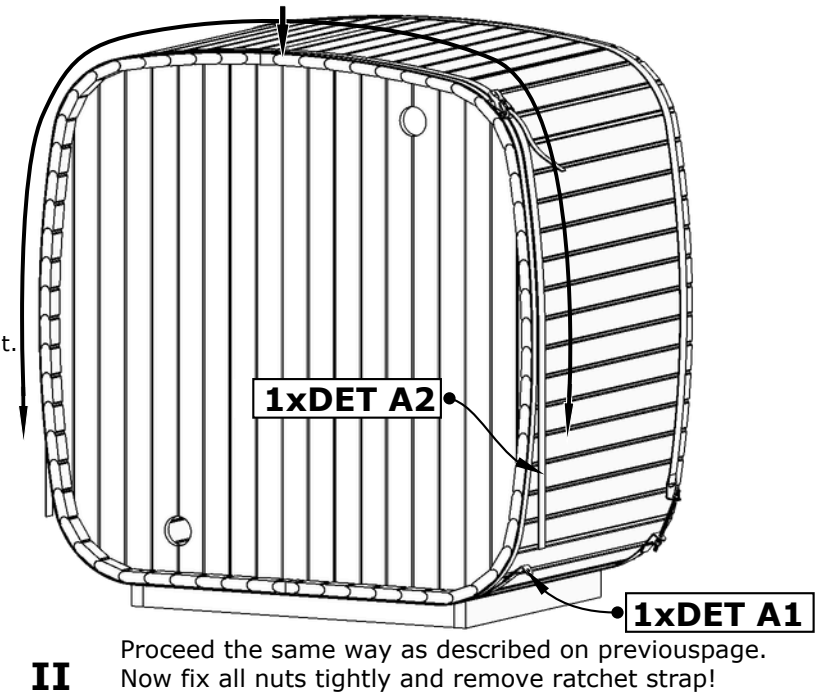
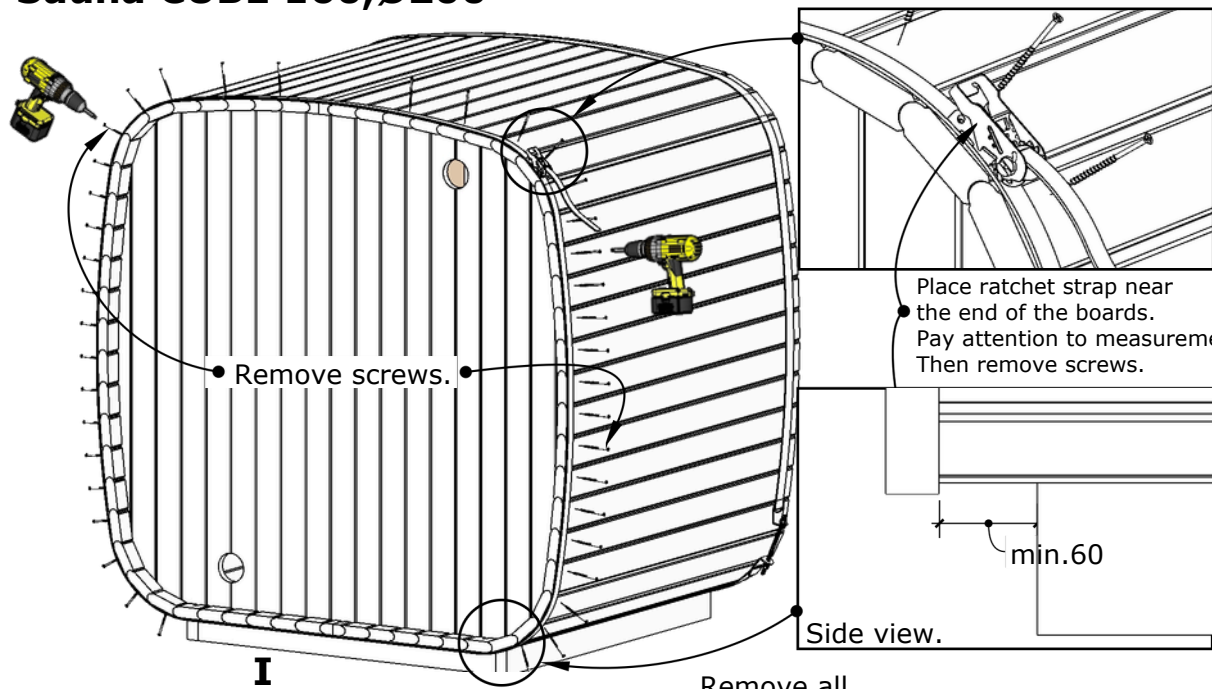


IV

Sauna CUBE 160,Ø200

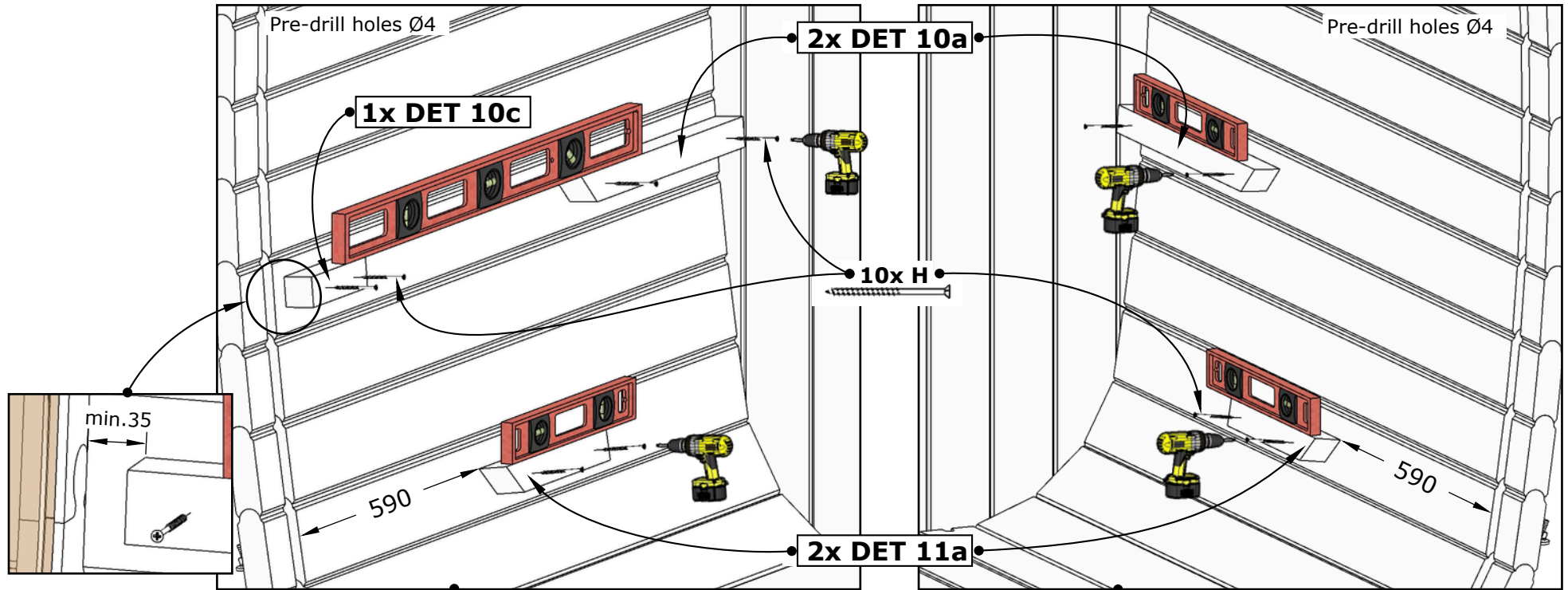


Sauna CUBE 160,Ø200

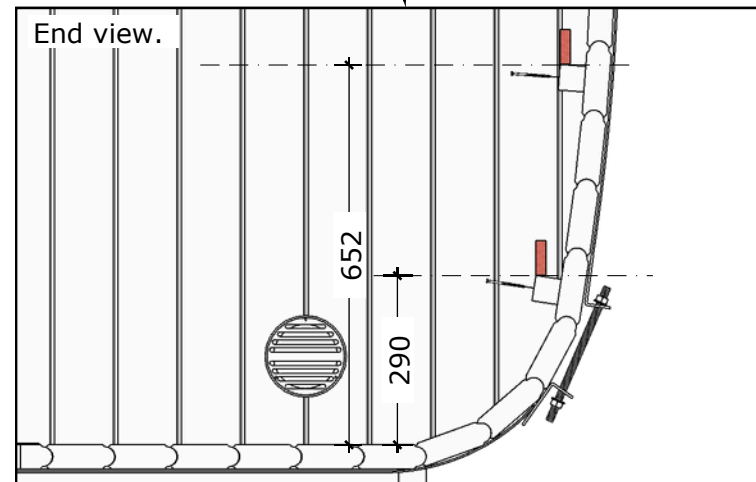
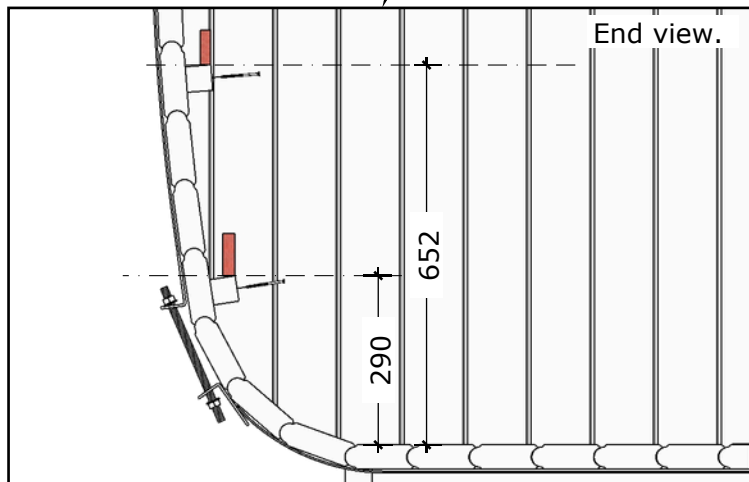


Sauna CUBE 160,Ø200

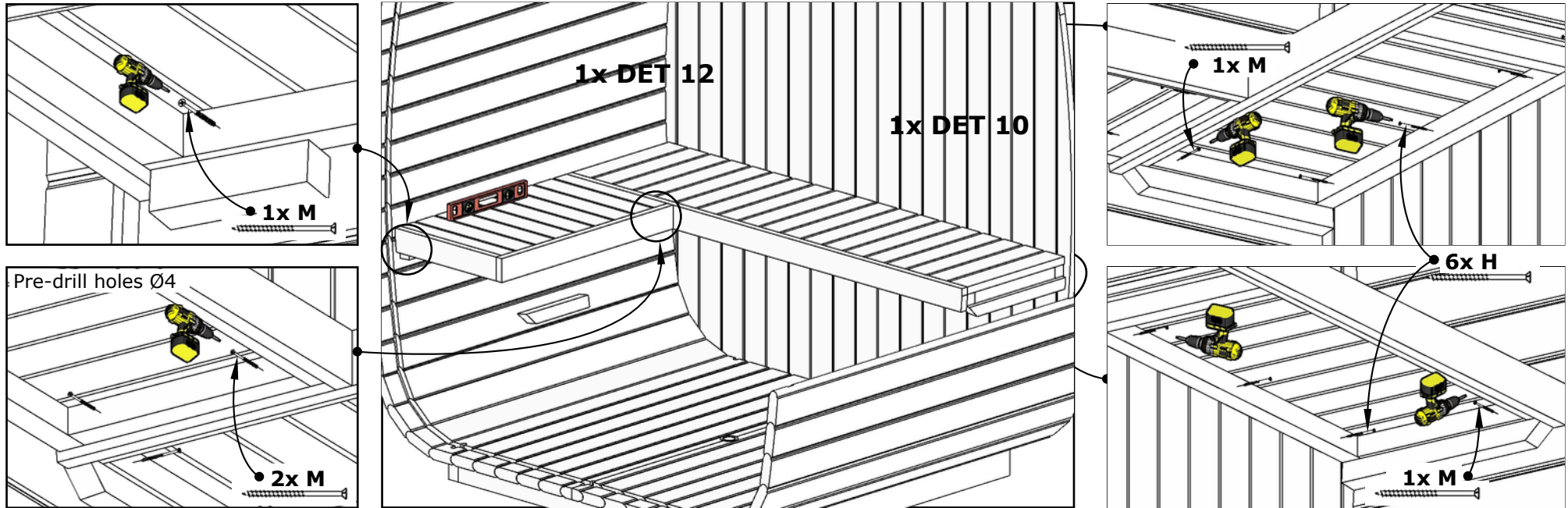
Use waterlevel for installation!



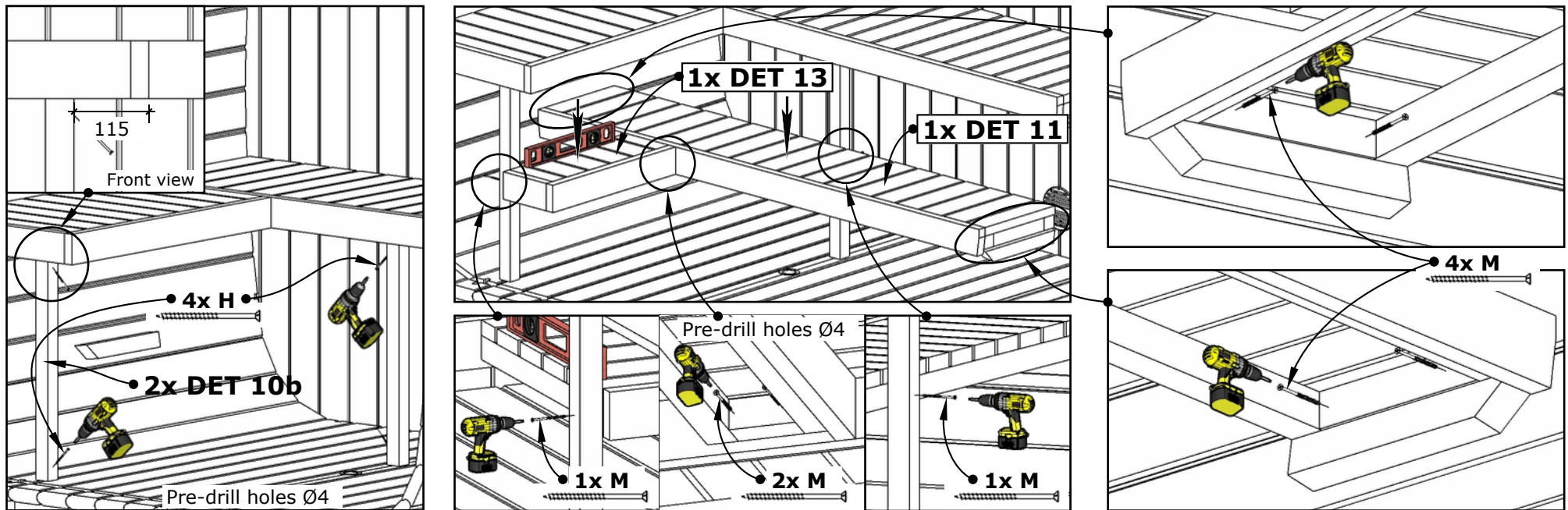
Attention! Leave gap min.35 mm. from glass-wall.



Sauna CUBE 160,Ø200



I

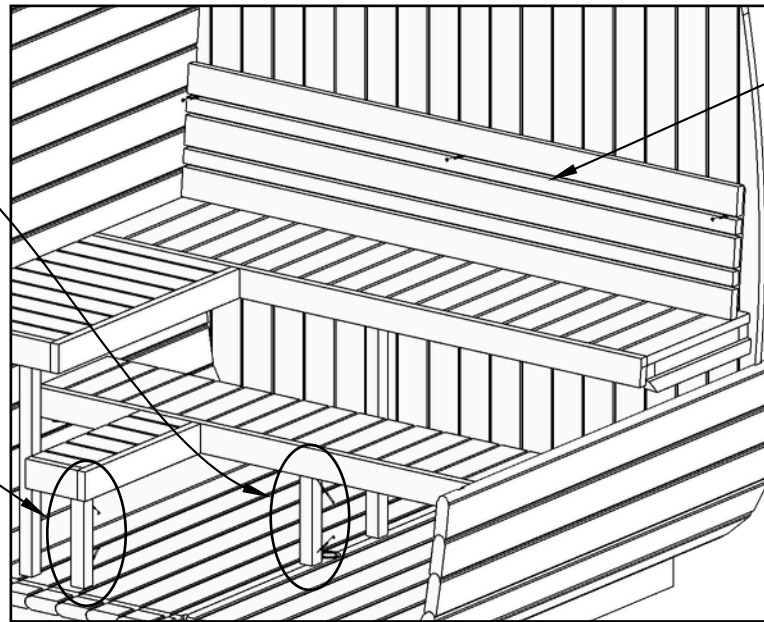
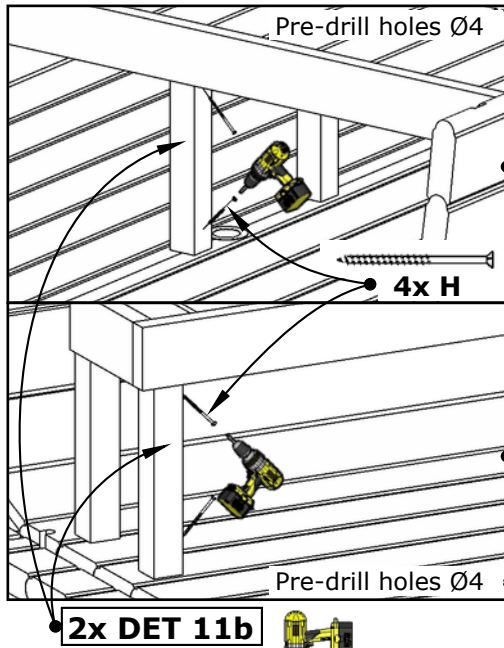


II

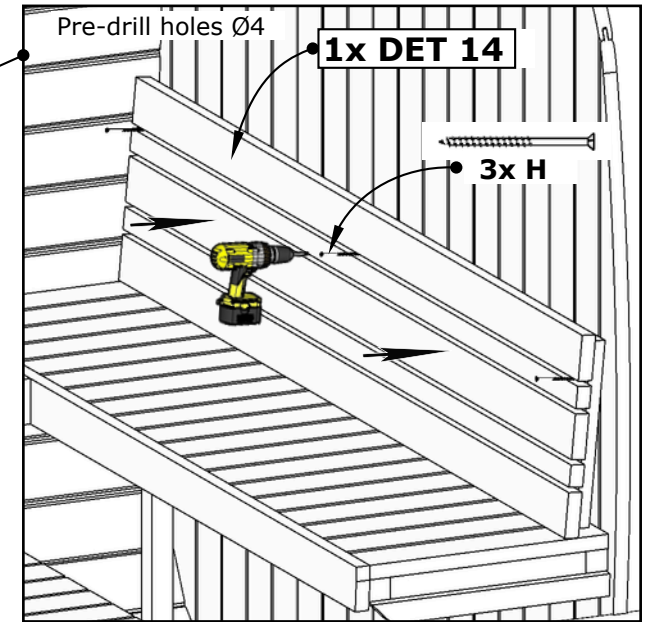
III

13.

Sauna CUBE 160,Ø200

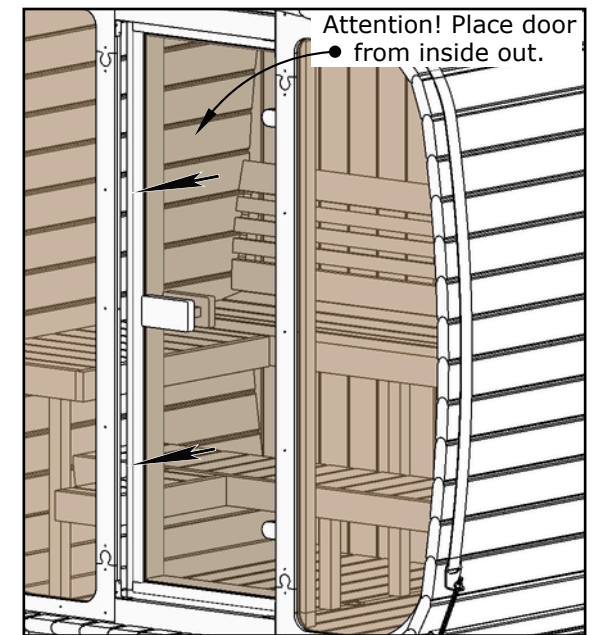
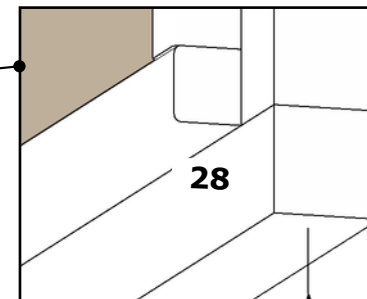
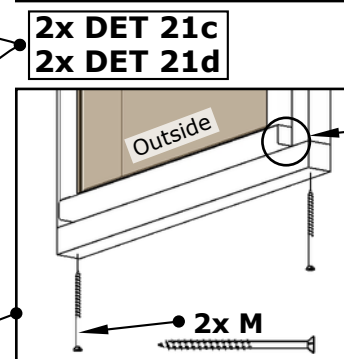
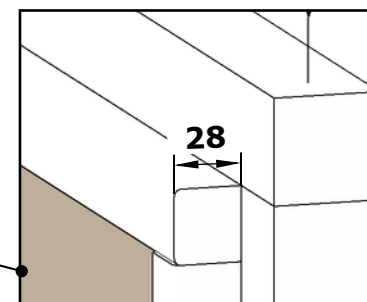
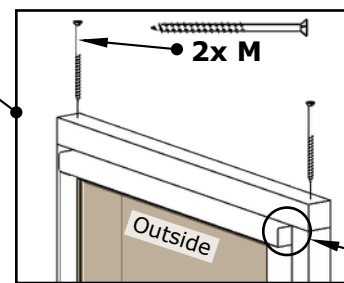
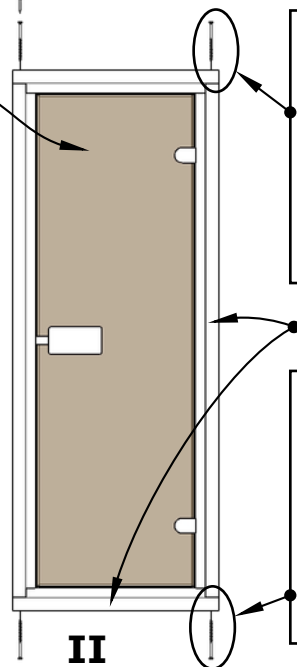


I



1x DET 21

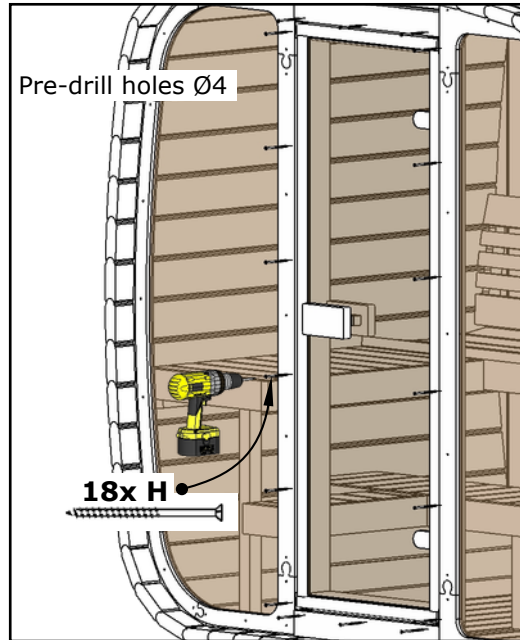
Attention!
The door must open outwards. If you need the door handle to be on the opposite side, rotate door 180 degrees.



Sauna CUBE 160,Ø200

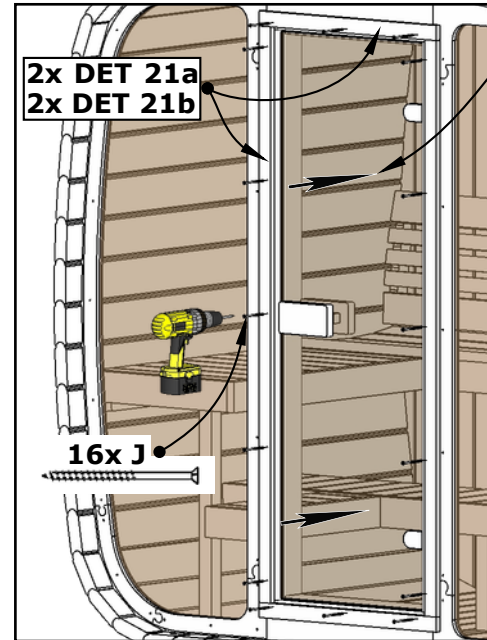


Use waterlevel.



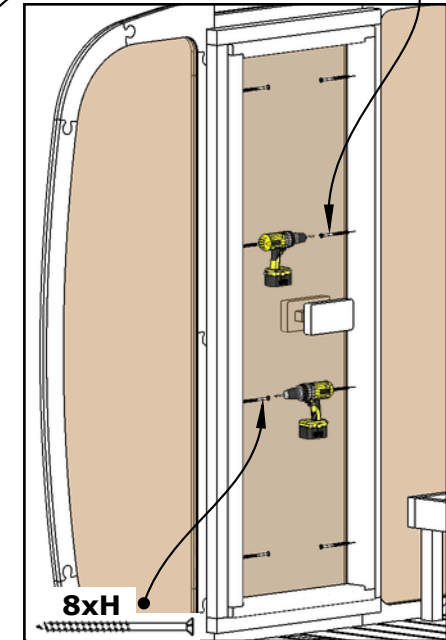
I

Please be careful!!! Do not hit the glass with the screw.



II

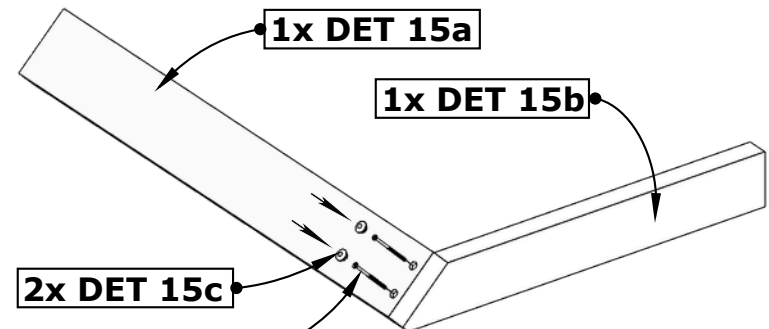
Ensure door frame is pressed tightly against the wall and fasten from inside.



III

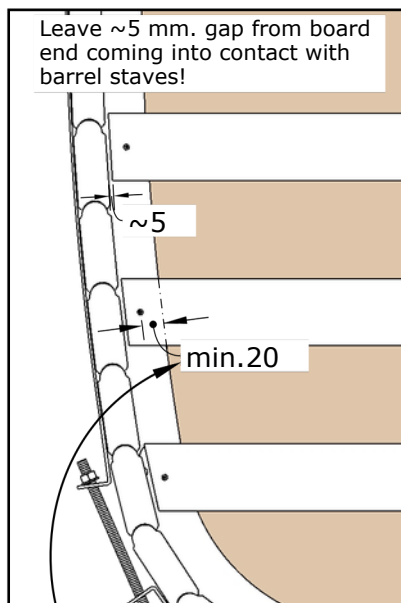
ATTENTION!

HEATER GUARD MAY NOT MEET THE SAFETY DISTANCES OF ALL HEATERS AND SHOULD NOT BE USED IF THE HEATER DOES NOT FIT!

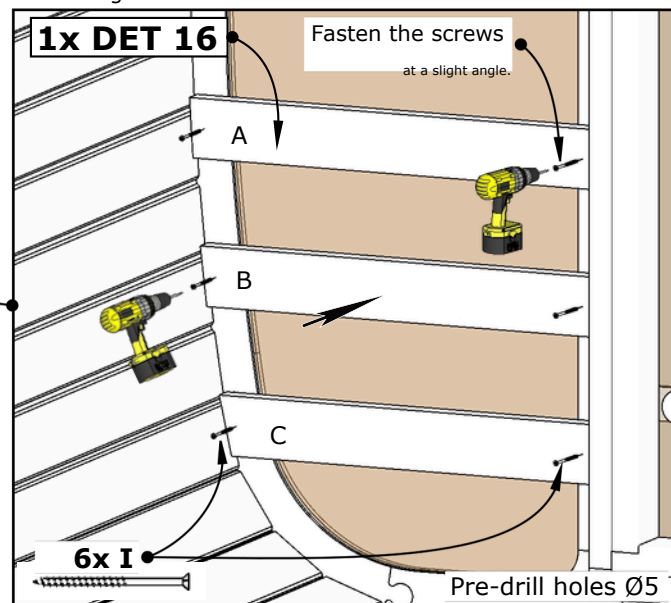


V

2x I If Your sauna heater is smaller, You can cut DET 15b to length from the non-tapered end to better fit your heater.



Leave ~5 mm. gap from board end coming into contact with barrel staves!

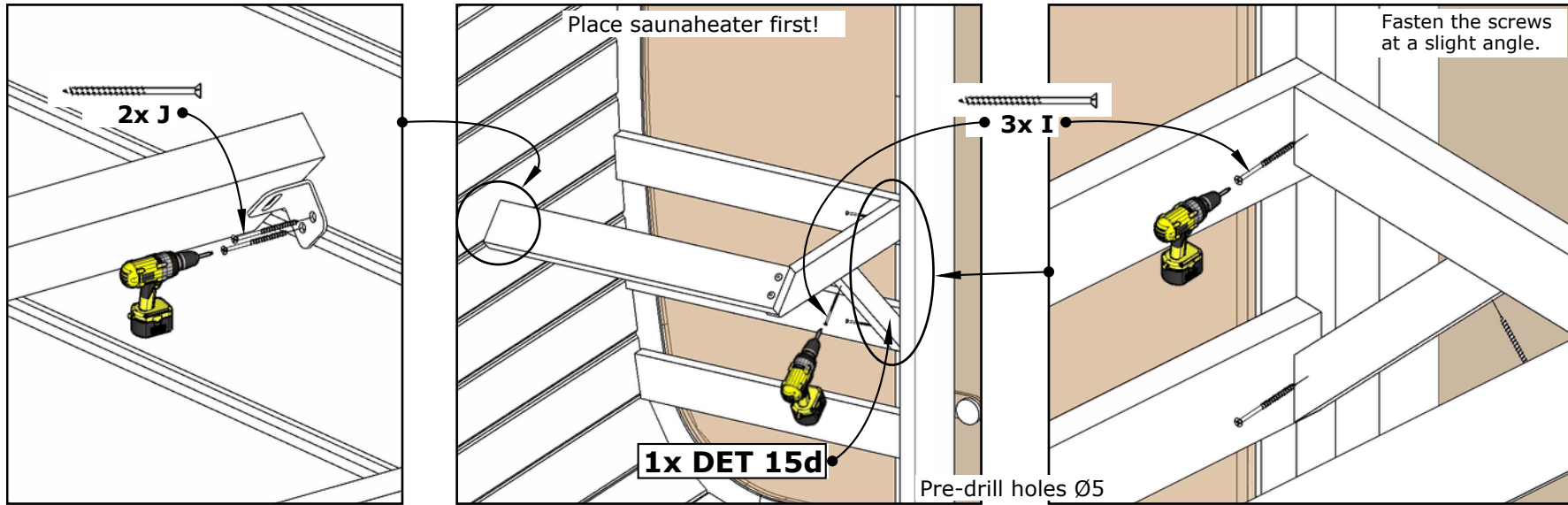


IV

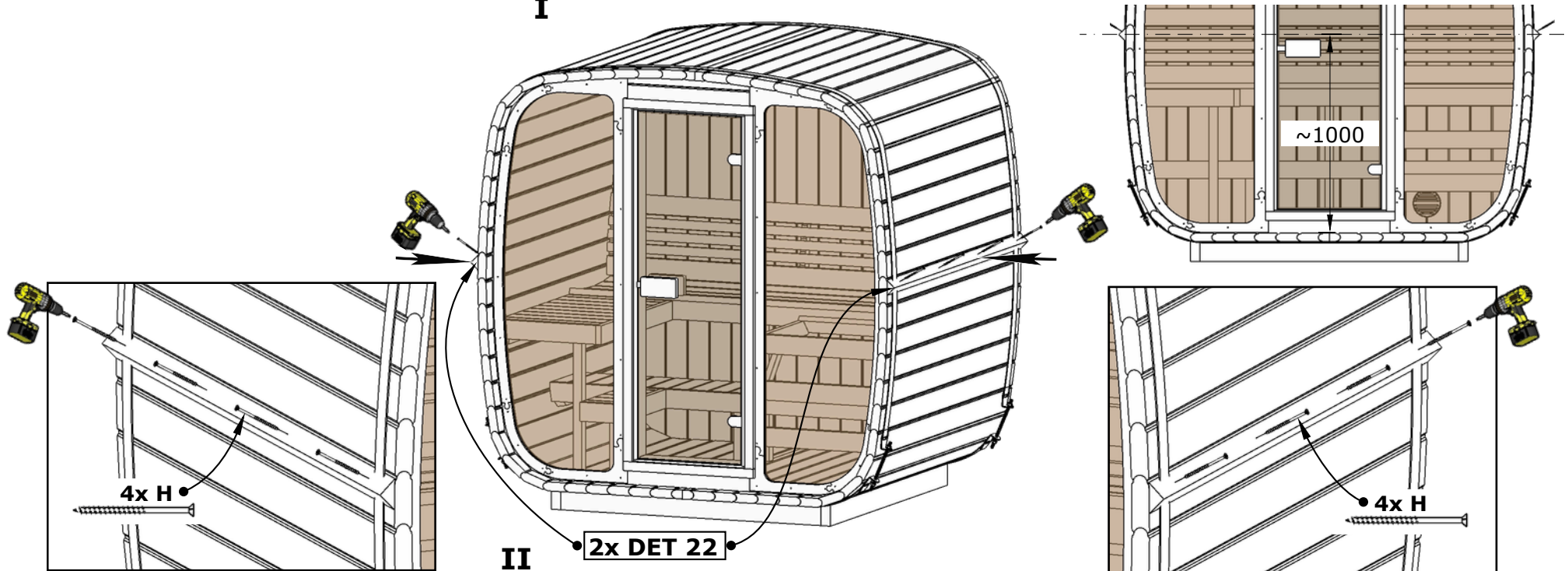
15.

TIC20/160KE-PT02

Sauna CUBE 160,Ø200



I

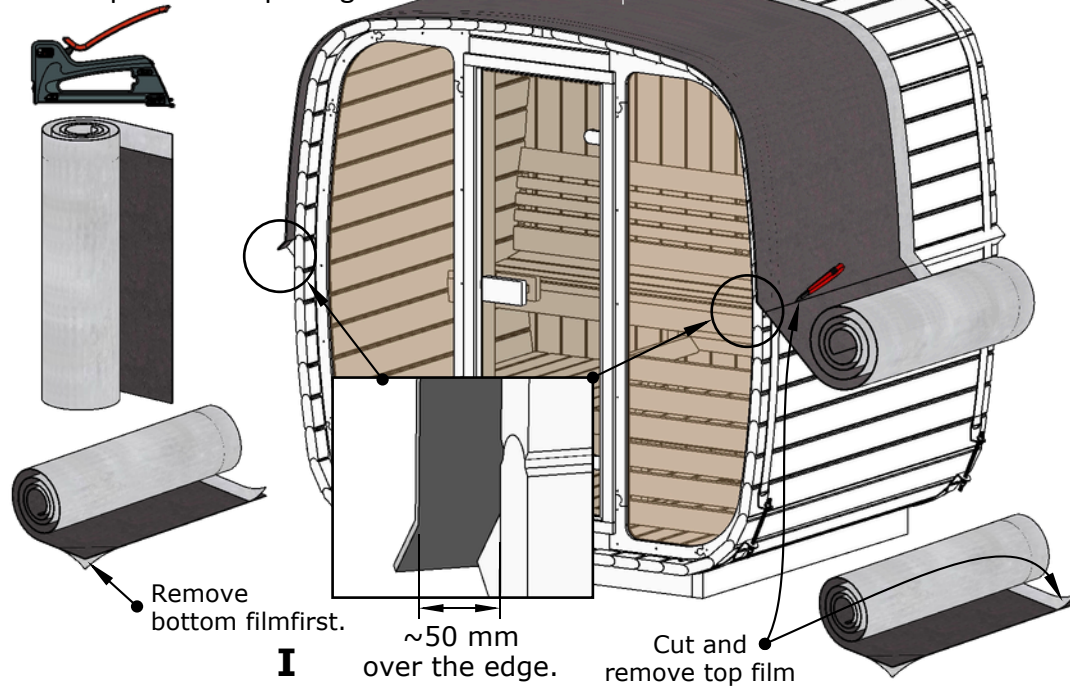


II

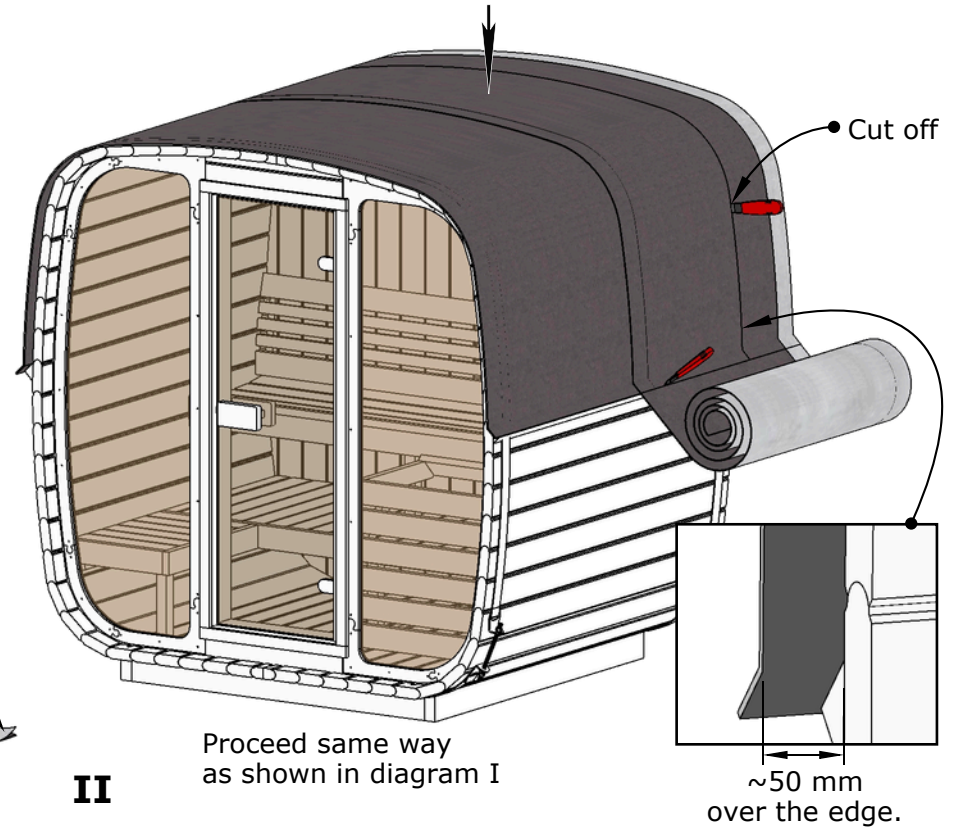
Sauna CUBE 160,Ø200

Underlay felt installation manual.

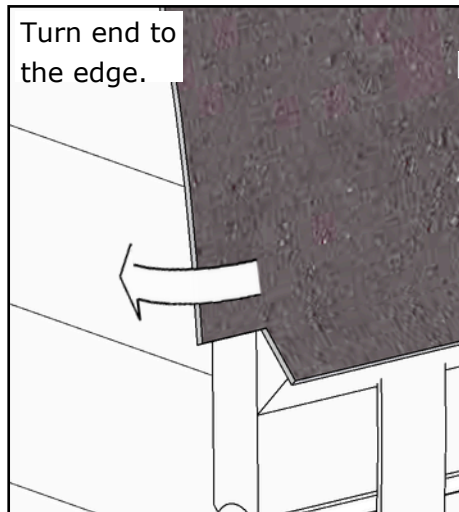
Attention! Refer to underlay installation manual provided in package.



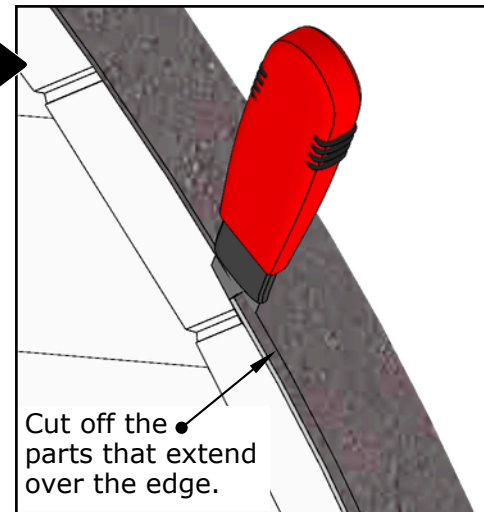
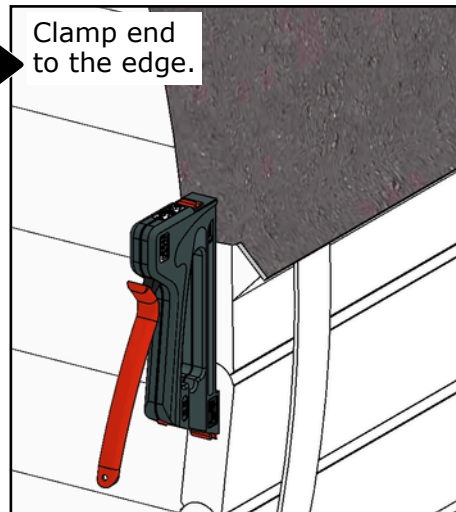
I



II



III

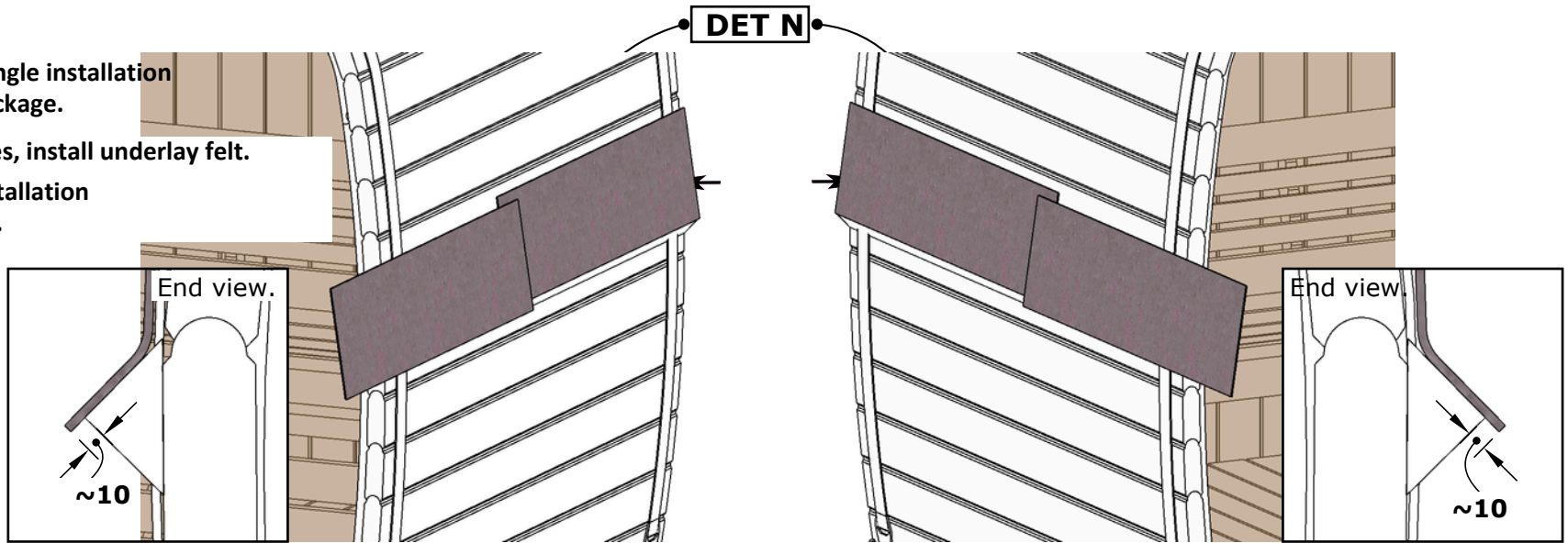


Sauna CUBE 160,Ø200

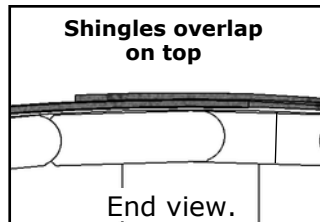
Attention! Refer to shingle installation manual provided in package.

NB! Before roof shingles, install underlay felt.

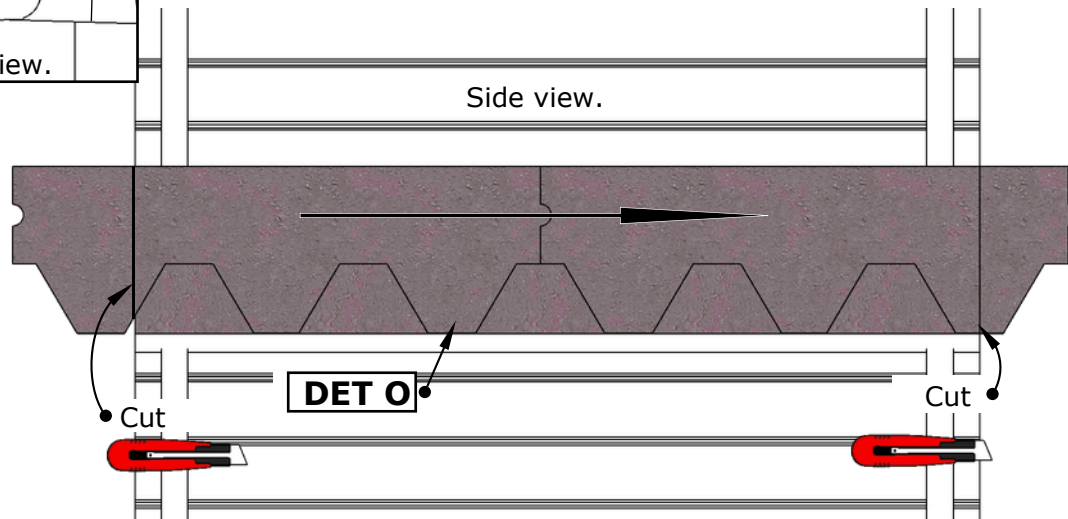
Check underlay felt installation manual on extra pages.



I

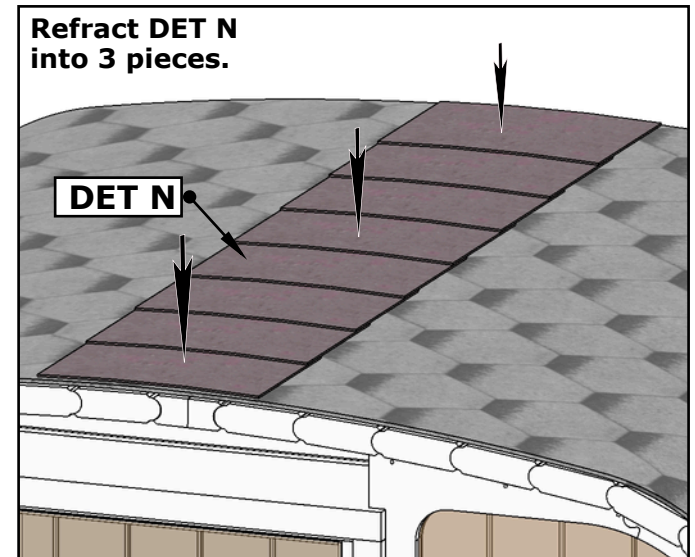


Attention! Refer to shingle installation manual provided in package.



II

Attention! Refer to shingle installation manual provided in package.



III

Sauna CUBE 160,Ø200

